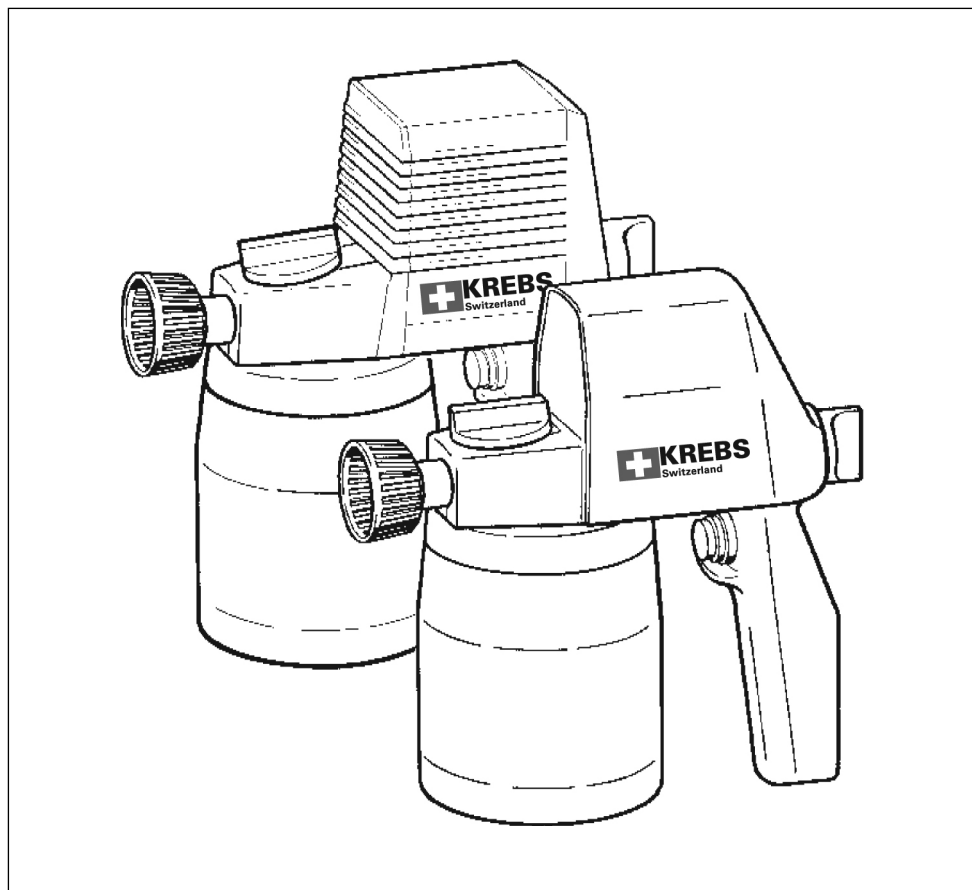


KREBS Switzerland

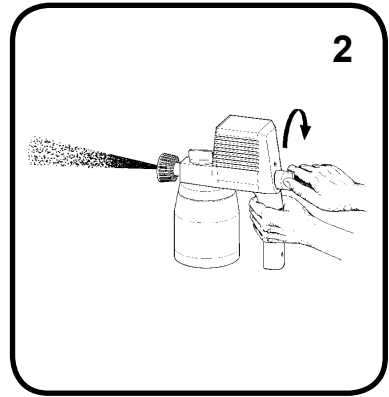
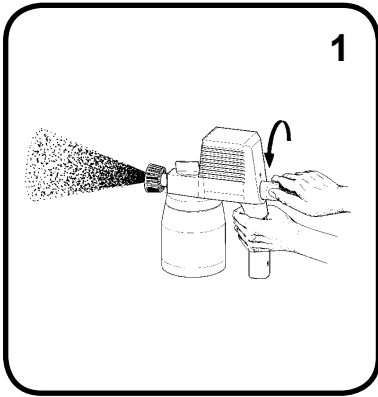


Operating Instructions

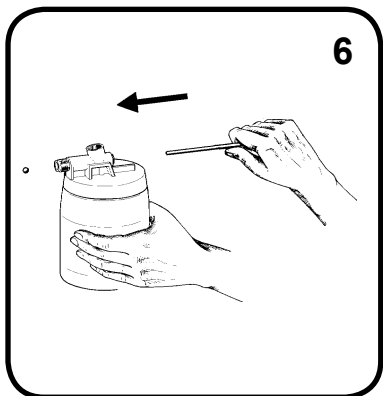
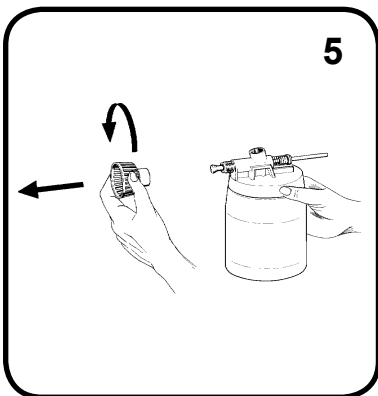
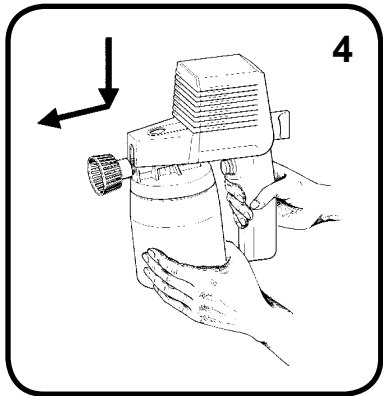
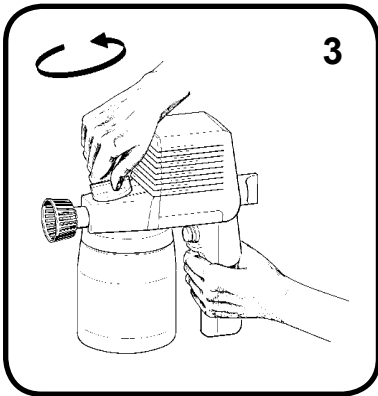
KREBS LM25
(25T-L)

KREBS LM45
(45-L)

Spraying



Dismantling the pump





For your safety



This spray gun can only be operated safely when the operating and the safety instructions have been completely read and are strictly adhered to. It is recommended to receive practical instruction before using the machine for the first time.



Do not use the spray gun if damp or if the surroundings are damp.



Always check the spray gun, power cord and plug before use. In the event of damage, repair work should only be carried out by specialist.



Ensure that there is adequate ventilation when working in confined spaces.



Danger of Explosion!

The spray gun must not be used in locations where explosive gases may occur.



Do not spray inflammable or explosive liquids (e.g. petrol or spirit).



Never direct the spray jet towards people or animals. The spray material comes out of the nozzle at high pressure. Danger of injury and infection.



The noise level of the spray gun can exceed 85 dB(A), therefore wear ear protection.



Do not use the spray gun without spray material.

Only connect the power plug when the spray gun is OFF.

Disconnect the power plug after use.

Always disconnect the power plug before performing any work on the spray gun. Do not carry the spray gun by the power cord.

Always keep the extension cable well away from the workplace.

Keep the spray gun and accessories out of the reach of children.

Only use original accessories and spare parts.

Technical data	LM25 (K25T-L)	LM45 (K45-L)
Nominal output	60 W	120 W
Delivery rate (water)	260 g/min	350 g/min
Viscosity rate	120 DIN-sec	160 DIN-sec
Dynamic pressure	0 - 160 bar	0 - 180 bar
Vibration level	9 m/s ²	9 m/s ²
Container capacity	approx. 0,7 l	approx. 0,7 l
Weight approx.	approx. 1,1 kg	approx. 1,4 kg
Protection rating	□ / II	□ / II

Before start-up

Observe the supply voltage! The voltage specified on the nameplate must conform to the supply voltage.



Instructions for use

Before switching on the spray gun, ensure that the container is at least 50% full of material in order that it creates a vacuum. **Do not use without material** - this will create unnecessary noise and vibration.



Spray material

Note: for the perfect functioning of the spray gun, clean spray material is of importance. Products containing granules or bodies must not be sprayed as they act abrasively, may restrict the movement of the piston and shorten the sprayer's life, thereby invalidating the warranty. In case of doubts regarding any impurities, a fine-meshed filtering of the spray material is recommended.



Regulating the Spray Jet

Turn the regulating knob completely to the left. (picture 1)

Switch on the spray gun.

Turn the regulating knob to the right until the spraying cone and atomization are correct.

The spray mist should be even, fine and without drops.

Readjust the spray jet similarly before each spraying operation.

Due to the high pressure of the spray gun, if spraying very fine liquids such as water, ensure that the nozzle is firmly tightened - use a towel if necessary - and reduce the power setting utilised. The LM45 is not recommended for spraying water as creates too much pressure for thin viscosity materials.

Always screw down the container firmly. (picture 2)

A test should be carried out to determine the most effective distance from the spraying surface. Start at a fairly large distance. Ensure that you keep at a constant distance and that your movements are steady. The distance of the nozzle from the item being sprayed depends on the spray material (approx. 20-35 cm spraying distance depending on the cone of the jet and the thickness of the liquid).

Note: Spraying material tends to drip off vertical surfaces. Perform an initial spraying from a slightly greater distance.

Never spray until the container is empty. The suction pipe must always be immersed in liquid.

Care and Maintenance

Always disconnect the plug from the power socket before carrying out any work on the spray gun.

Always keep the spray gun clean.



Never immerse the spray gun in cleaning agent!

Clean the spray gun periodically by spraying through a suitable food safe mild detergent. Rinse it thoroughly thereafter with fresh water. See instructions of the cleaning agent manufacturer. When the spray gun is not used for a longer time, spray through a light food oil for conservation. If the spray gun should happen to fail despite the care taken in manufacture and testing, repair should be carried out by an authorised representative. For all correspondence and spare parts orders, always include the order number.

Dismantling the Spray Gun

1. Remove screw. (spare part **1**, page 15-16) (picture **3**, page 2)
2. Separate the motor housing (spare part **6**) from the pump section. (picture **4**)
3. Unscrew nozzle (spare part **3**). Take suction pressure valve (spare part **4**) and pump plunger (spare part **8**) with spring (spare part **7**) out of the pump section. **Do not use force.** (picture **5**)
4. Remove the valve ball from the pump by using a copper or brass pin to push it through the piston aperture. (picture **6**)
5. Place all parts in the appropriate detergent and clean them.
Never use hard objects for cleaning! The piston (spare part **8**) should move easily in the pump housing.

Assembling the Pump

Assemble the parts in the reverse order.

After cleaning, spray through the spray gun briefly with vegetable oil as an anticorrosion measure.

Collect cleaning agents in an appropriate receptacle and dispose of in an appropriate manner.

Guarantee

The spray gun is guaranteed for six months subject to the enclosed terms and on condition that it is **only used for processing products approved for the food industry.**

The spray gun must not be operated continuously for longer than 10 minutes at a time.

The guarantee is based on 50 hours of use within a 6-month period.

Only original spare parts may be used in the event of repairs.

The spray gun must be serviced and cleaned as described in the operating instructions.

The guarantee becomes valid with the delivery of the product to the end user.

The duration of the guarantee shall be determined by the end user's date of purchase. The guarantee excludes any damage due to natural wear, overloading or incorrect handling.

Repairs not covered by the guarantee shall be performed by service centres subject to the applicable price and delivery terms of the country in question.

Product liability

No liability is accepted for damage caused directly or indirectly by the use and spraying of products. The user assumes full responsibility for the use of the product in accordance with the laws of food hygiene and other legal regulations.

EN Declaration of Conformity CE

We confirm that this product meets the required standards as set out in the following norms:

EN 50144-1:98 + A1:02 + A2:03, EN 50144-2-7:00, EN 50366:03 + A1:06,

EN 55014-1:06 + A1:09 + A2:11, EN 55014-2:97 + A1:01 + A2:08, EN 61000-3-2:06 + A1:09 + A2:09,

EN 61000-3-3:08, EN 62233:08

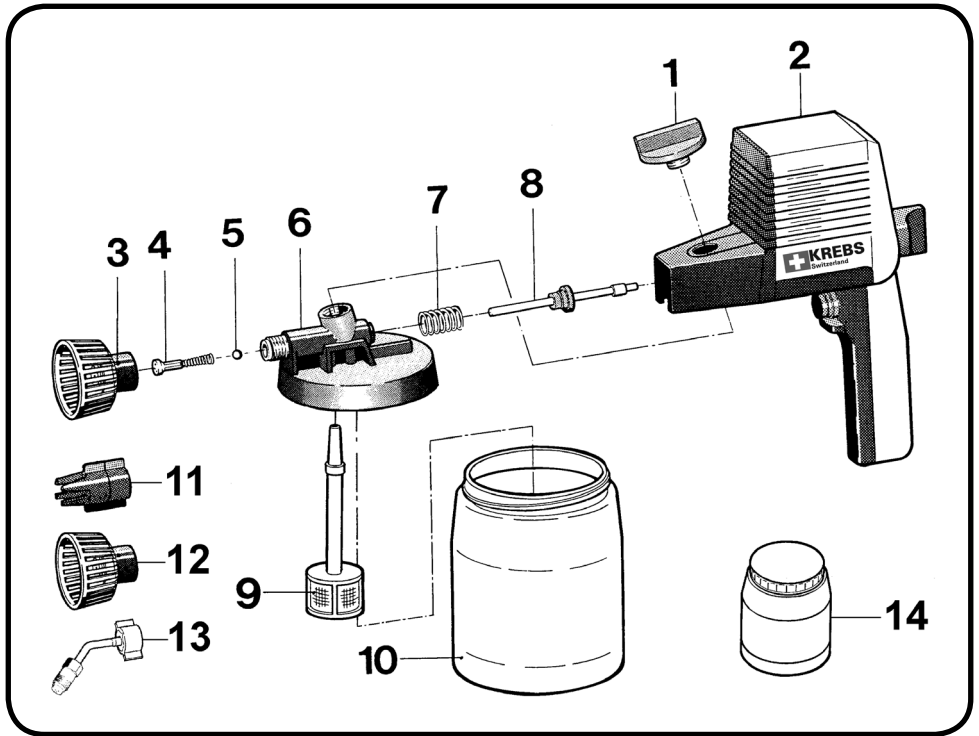


A handwritten signature in black ink, appearing to read "Sean Kendrick".

Dr. S. Kendrick

A handwritten signature in black ink, appearing to read "A. Hitschrich".

A. Hitschrich



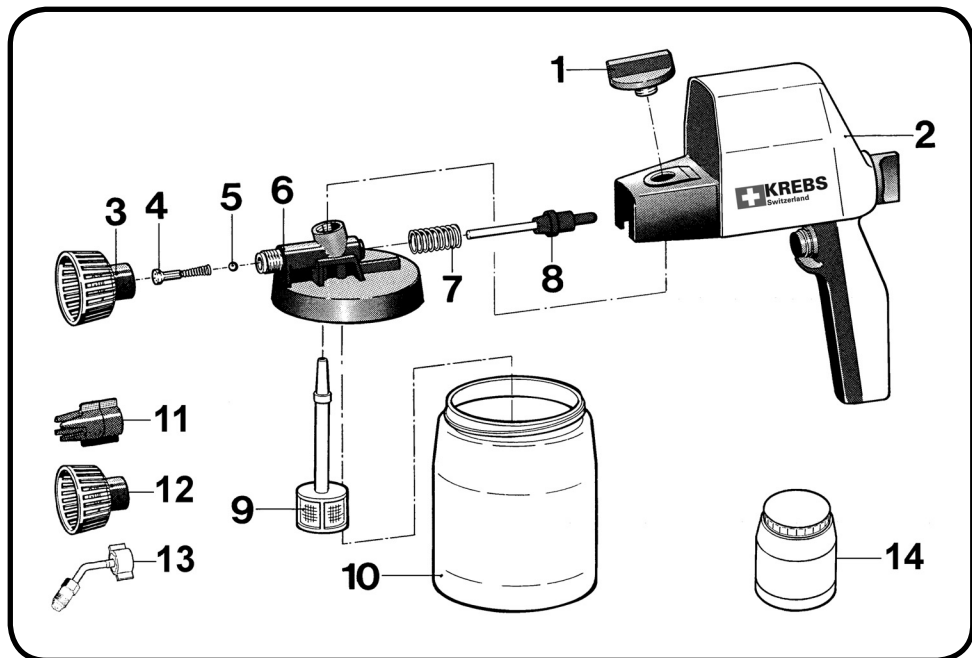
Spare parts of LM45 (K45-L)

Pos. Part No.

1	09-004-004	Wing set screw
2	09-501-025	Casing
3	09-490-008	Nozzle R8
4	09-005-000	Swirl piece
5	09-004-022	Valve ball
6	09-504-038	Pump housing
7	09-004-013	Piston spring
8	09-004-026	Piston
9	06-001-027	Sucion tube
10	09-501-016	Container

Accessories

11	09-490-007	Fan Nozzle
12	09-490-004	Round jet nozzle R4
12	09-490-006	Round jet nozzle R6
12	09-490-008	Round jet nozzle R8
13	09-008-015	Bent nozzle extension
14	09-490-012	Container with lid



Spare parts f LM25 (K25T-L)

Pos. Part No.

1	09-004-004	Wing set screw
2	11-501-045	Casing
3	09-490-006	Round jet nozzle R6
4	09-005-000	Swirl piece
5	09-004-014	Valve ball
6	11-504-023	Pump housing
7	11-004-013	Piston spring
8	11-004-014	Piston
9	06-001-027	Suction tube
10	09-501-016	Container

Accessories

11	09-490-007	Fan Nozzle
12	09-490-004	Round jet nozzle R4
12	09-490-006	Round jet nozzle R6
12	09-490-008	Round jet nozzle R8
13	09-008-015	Bent nozzle extension
14	09-490-012	Container with lid

Theo Krebs AG
Bühlstrasse 72
CH 8583 Sulgen
Tel: +41 (0)71 686 60 40
Fax: +41 (0)71 686 60 43
Mail: info@krebsswitzerland.com
Web: www.krebsswitzerland.com