



# H280 Series 60" Wide Gas Restaurant Range

Item: \_\_\_\_\_  
 Quantity: \_\_\_\_\_  
 Project: \_\_\_\_\_  
 Approval: \_\_\_\_\_  
 Date: \_\_\_\_\_

H280 Series 60" Wide Gas Restaurant Range

Models:

- H282       H283

H282 Single Oven & Storage Base Model & H283 Double Oven Model



Model # H283

NOTE: Ranges supplied with casters must be installed with an approved restraining device.

### Standard Features:

- Cast iron top and ring rates
- 24,000 BTU / 7.03kW, (Natural Gas) or 20,000 BTU / 5.86kW, (Propane) Starfire burners, (6)
- Stainless steel front and two sides
- Stainless steel plate rail & valve panel
- Stainless steel two piece back-guard and plate shelf
- 24" (610mm) wide raised griddle/ broiler (right side only), actual broiler section 19" (463mm) wide
- 30,000 BTU (8.79kw) oven burner
- Standard oven(s); fully porcelain interior; including top, bottom, sides, back and door liner.
- Storage base in lieu of one oven; Model H282
- Nickel plated oven rack (one per oven) on 4-position removable rack guides
- Heavy duty "FDO" oven thermostat (150°-500°F/ 66°-260°C range)
- Gas pressure regulator

- 6" (152mm) Chrome steel legs with stainless steel inserts
- Strong, keep-cool oven door handle
- One year limited warranty on parts & labor, (USA & Canada only)

### Optional Features:

- Black porcelain top and ring grates (Change "H" in model number to "P"), NC
- Convection oven base: for (1) CO base, add suffix RC; for (2) CO bases, add suffix RC2
- Celsius temperature dials, NC
- 12" (610mm) hot top section; 3/8" (10mm) thick, (Add suffix - 1, -2 or -3); standard on left or specify location
- Additional oven rack
- Stainless steel legs, set of (4)
- Deck fasteners (S/S flanged feet) set of 4
- Set of 4 casters w/ front brakes

### Specifications:

Gas medium duty range with full size porcelain interior oven(s), 60" (1524mm) wide. (6) open top Starfire burners with cast iron top and ring grates, 24" (610mm) manual control griddle/ broiler. Stainless steel front and two sides. Stainless steel backguard and plate shelf. Available with optional hot top(s). Double oven model ,H283 & Single oven with storage base on right, H282. Recommended for churches, schools, cafes, and small restaurants.



Garland Commercial Industries, LLC  
 185 East South Street  
 Freeland, PA 18224  
 Phone: (570) 636-1000  
 Fax: (570) 636-3903

Garland Commercial Ranges Ltd  
 1177 Kamato Road,  
 Mississauga, Ontario  
 L4W 1X4 CANADA  
 Phone: 905-624-0260  
 Fax: 905-624-5669

Enodis UK LTD  
 Swallowfield Way,  
 Hayes, Middlesex  
 UB3 1DQ ENGLAND  
 Telephone: 081-561-0433  
 Fax: 081-848-0041

Enodis

Input Rating Per Burner (Natural Gas) †								Operating Manifold Pressure "WC/ mbar	
Open*		Hot Top**		Griddle/Broiler (3 burners)		Oven			
BTU	kW	BTU	kW	BTU	kW	BTU	kW	Natural	Propane
24,000	7.03	18,000	5.27	14,500	4.5	30,000	8.78	4.5/11.25	10/25

Gas input ratings shown for installations up to 2000 ft., (610m), above sea level. Please specify altitudes over 2000 ft.

† All propane and natural gas BTU ratings are the same except for open burners (rated at 20,000 BTU/5.86kW with Propane)

Please specify gas type when ordering.

\* Two (2) burners per 12" (610mm) section,

\*\* One (1) burner per optional 12" (610mm) section, (replaces 2 open burners); add suffix: -1, -2 or -3; standard on left

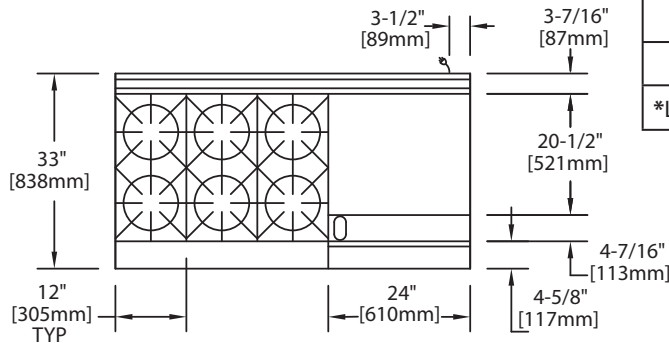
Exterior Dimensions			Oven Interior Dimensions			Installation Clearances	
Height w/shelf	Width	Depth	Height	Width	Depth	Sides	Rear
59-1/2" (1511mm)	60" (1524mm)	33" (838mm)	13-12" (343mm)	26-1/4" (667mm)	22" (559mm)	6" (152mm)	6" (152mm)

NOTE: Installation clearance reductions are applicable only where local codes permit

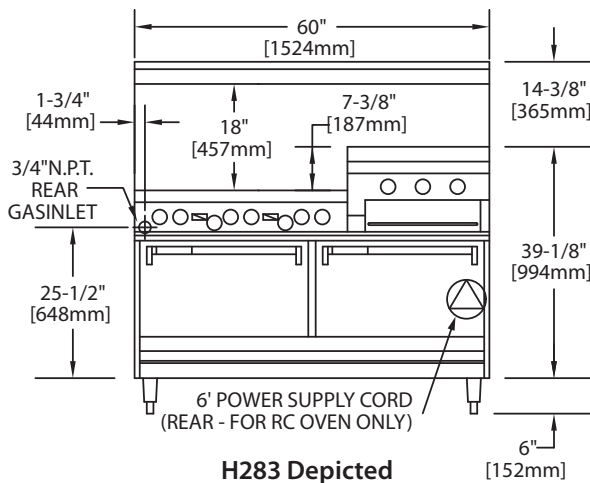
This product is not approved for residential use.

MODEL H283	Shipping		Entry Clearances	
	Wt* Lbs/Kg	Cu ft	Crated	Uncrated
STD	885/403	84.5	46" (1168mm)	34 (864mm)
RC	935/424	84.5	46" (1168mm)	39 (991mm)

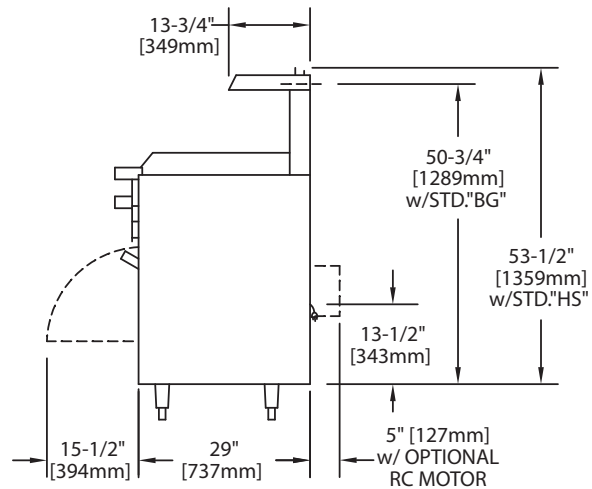
\*Less 75 Lb/35 Kg for Model H282 STD and RC



**Installation notes:** For RC oven add 5" (127mm) to overall depth. Electric characteristics each RC oven: 1/3 HP motor; 120VAC, Single phase, 3.4 Amps (RC2 Model - 6.8 Amps), (6 Ft/1829mm power supply cord provided).



H283 Depicted



Form# H283 (09/07)