

FETCO[®]

CORPORATION

ITEM NUMBER: _____

MODEL TBS-21A
SERIES Iced Tea / Hot Tea

**Exceptional Tea
Deserves Exceptional Brewing**



Dispenser Sold Separate



Introduction

The best glasses of iced tea and hot tea have optimal contact times. The TBS-21A utilizes FETCO's patented intermittent spray feature to control the amount of time the water stays in contact with the tea leaves. Dilution either at the end of the brew cycle (with or without a delay) or during the brew cycle (in between sprays) allows for total control over the finished product iced tea product.

Features

With effortless external calibration one can program up to 2 independent batches. These batches can be independently programmed for both iced tea and hot tea. It is now possible to design different recipes for both iced tea and hot tea, to achieve the perfect glass of tea, by controlling the variables of extraction independently.

The Ultimate in Iced-Tea Dispensing

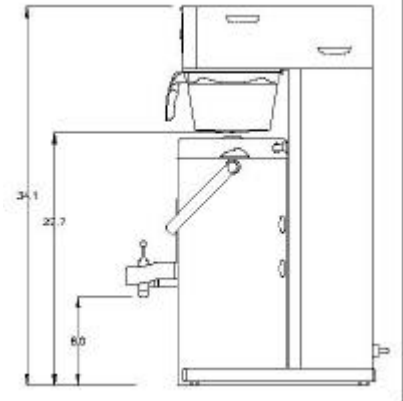
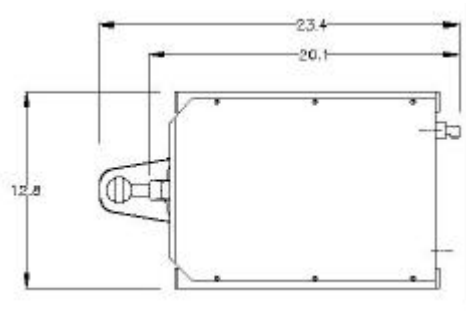
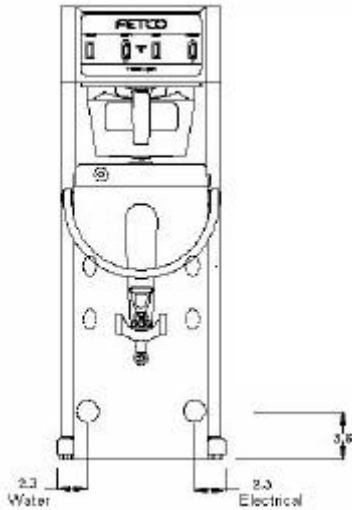
FETCO® tea dispensers are totally portable, once filled, they can be taken anywhere; wait stations, indoors, outdoors, or to different floors for hours of reliable service. Finally, an iced-tea dispenser that is attractive enough to merchandise your tea in any serving location. Furthermore, this dispenser incorporates an innovative, dishwasher safe liner for easy cleaning.

FETCO® Corporation
640 Heathrow Drive
Lincolnshire, Illinois 60069
USA

Phone: (847) 821-1177
Toll Free: (800) FETCO-99
FAX: (847) 821-1178
sales@fetco.com
<http://www.fetco.com>

Consultant & Contractor Approvals:

MODEL TBS-21A
SERIES Iced Tea / Hot Tea



Dimensions (Brewer):

Height - 34" (850mm) Width - 12 3/4" (320mm) Depth - 20" (500mm)

Dimensions (Shipping): *Ships By Pallet*

Height - 34" (850mm) Width - 12 3/4" (320mm) Depth - 20" (500mm)

Weight - 76 lbs (34.5 kg)

Water Requirements:

20 -75 psig, 1.5 gpm flow rate, water inlet is 3/8 male flare

Electrical Config. Code	Heater Configuration	Voltage (AC)	Phase	Wires	KW	Maximum Amp draw	Batches Per Hour *
E21016	1 X 2.1KW	120	single	2 + ground	2.2	18.0	6.0

* based on factory settings

Options

- Z004 Custom Color Finish
- Z005 Color Coded Faucet Handle

Dispensers

- D031 3.0 Gallon Iced-Tea Dispenser (ITD-30)
- D041 3.0 Liter Stainless Steel Lined Lever Airpot
- D042 Case of 3.0 Liter Stainless Steel Lined Lever Airpots (Case of 6)

Accessories

- A015 Round Drip Tray
- A039 In-Line Water Filter With Cartridge
- A070 3.0 Gallon Iced-Tea Dispenser Liner
- A075 Replacement Water Filter Cartridge
- A081 13" x 5" Iced-Tea Basket

Filters

- F001 15" x 5" paper Filters (500 Per Case) Standard
- F002 13" x 5" Paper Filters (500 Per Case)

FETCO® Corporation
640 Heathrow Drive
Lincolnshire, Illinois 60069
USA

Phone: (847) 821-1177
Toll Free: (800) FETCO-99
FAX: (847) 821-1178
sales@fetco.com
http://www.fetco.com

Printed in USA 2002

FETCO, LUXUS, Extractor, Pulse-Brew are all trademarks or registered trademarks of Food Equipment Technologies Company.