

MODEL	WxDxH	DOOR	SHELF	H.P.	VOLT	CU.FT	WEIGHT
LB60 S/C	60 x32x36	1 1/2	1	1/4	115	19.6	230



LB60



### FEATURES AND BENEFITS



- \*Exterior – Stainless Steel front and top
- \*Interior – Aluminum side, Stainless Steel bottom.
- \*Excellent Cooling Performance  
Over-sized condenser & Evaporator  
Keep food fresh.
- \*The Famous American Brand  
“Tecumseh” Compressor
- \*Defrost Timer System  
By keeping cooling systems separate from the evaporator, it does not ice up or inhibit the compressor, giving the unit outstanding performance and a long life even in the most difficult environments.
- \*Self-closing door
- \*Adjustable Epoxy Wire shelves  
Durable and Easy to Adjust

- \*5” Casters Standard
- \*Holds 34°F - 40°F

\*ETL listed 

\*MEA City of New York Building Department Approved

\*REMOTE UNIT – NOT INCLUDING ANY COOLING SYSTEM ASSEMBLY PARTS. ONLY EVAPORATOR INCLUDED

\*These models are designed to operate in an environment where temperature & humidity do not exceed 75°F and 65% relative humidity.

\*Specifications Subject To Change Without Notice

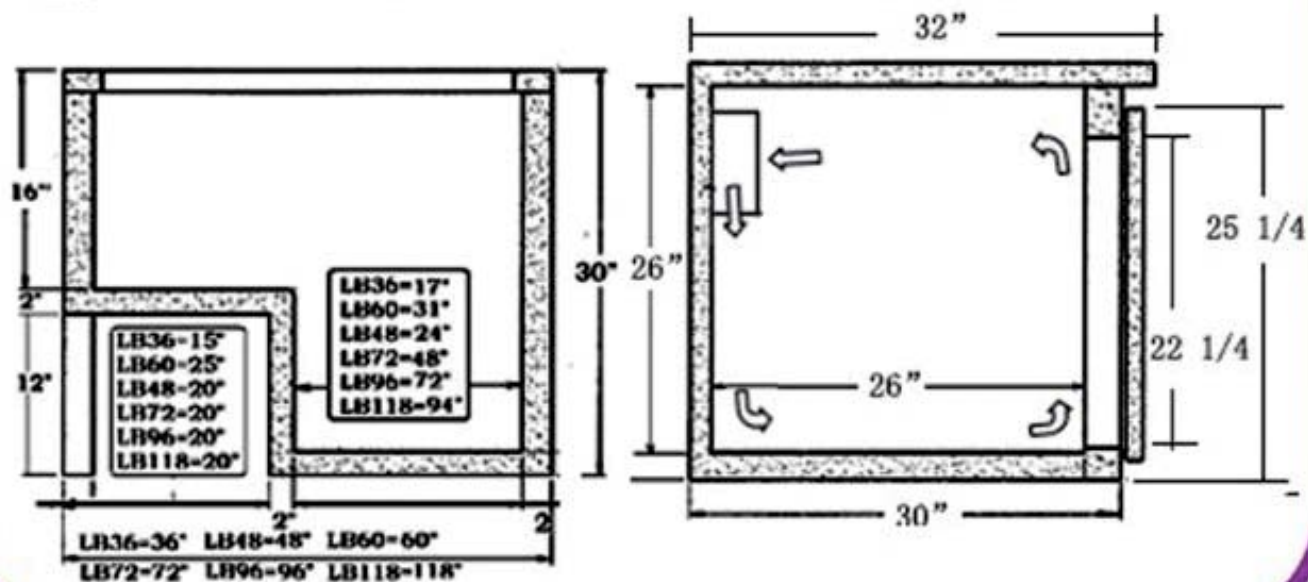


MODEL: LB

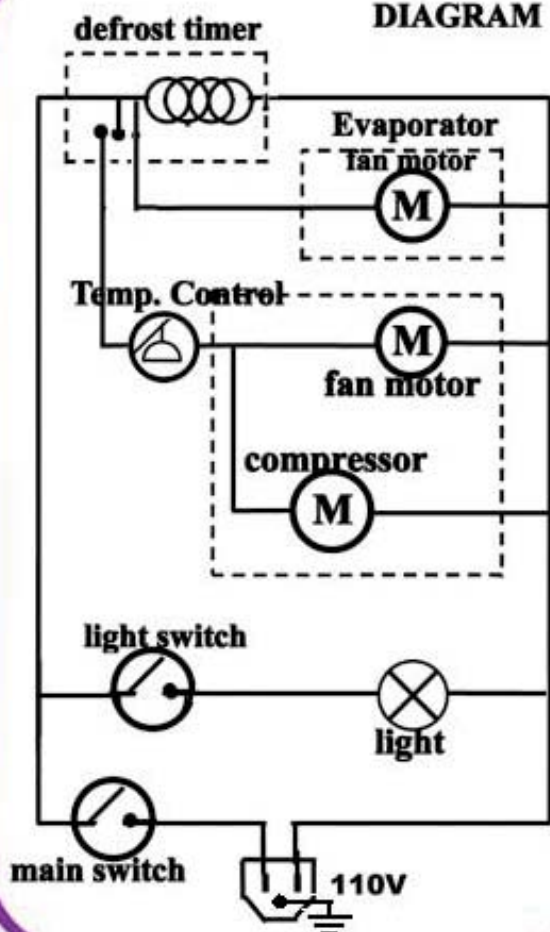
15

FRONT VIEW

SIDE VIEW



DIAGRAM



BEST QUALITY

BEST SERVICE

BEST VALUE

SINCE 1992