

| MODEL  | WxDxH    | DRAWER | PAN CAP.     | H.P. | VOLT | WEIGHT |
|--------|----------|--------|--------------|------|------|--------|
| LB60ES | 60X32X26 | 2      | 15/1/6fp/4"d | 1/4  | 115  | 290    |

SPECIFICATIONS SUBJECT TO CHANGE WITHOUT NOTICE.



LB60ES

#### FEATURES AND BENEFITS

- \*Exterior – Stainless Steel front and top
- \*Interior – Stainless Steel
- \*Heavy duty refrigerated drawers  
Drawers front are stainless with magnetic gasket for positive seal and accommodates two 12"x20" hotel pans
- \*Excellent Cooling Performance  
Over-sized condenser & Evaporator  
Keep food fresh.

- \*The Famous American Brand  
"Tecumseh" Compressor
- \*Defrost Timer System  
By keeping cooling systems separate from the evaporator, it does not ice up or inhibit the compressor, giving the unit outstanding performance and a long life even in the most difficult environments.
- \*5" Casters Standard

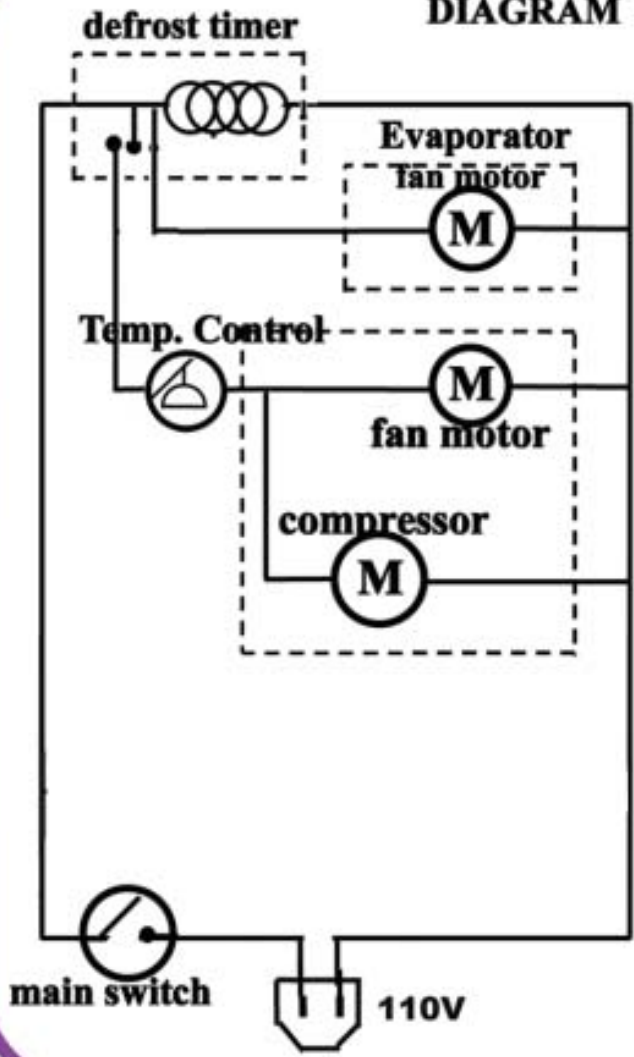
- \*Holds 34°F - 40°F

- \*ETL listed



- \*MEA City of New York Building Department Approved
- \*REMOTE UNIT – NOT INCLUDING ANY COOLING SYSTEM ASSEMBLY PARTS. ONLY EVAPORATOR INCLUDED

**DIAGRAM**



BEST QUALITY

BEST SERVICE

BEST VALUE

SINCE 1992