

CU0515 – 70 lb Cube Ice Machine

Self-Contained Under Counter Cuber with Storage



Features

- 15 3/16" cabinet width, produces up to 84 lbs. of crystal-clear, gourmet ice in 24 hours.
- Stores up to 24 lbs.
- Produce clear, long-lasting gourmet shaped ice.
- Energy Saving Systems that optimizes cycle efficiency and ice quality, while reducing energy consumption and cutting operating costs.
- Durable stainless steel construction.
- Power cord for quick installation.
- Ideal for any under counter or bar application.
- Built-in convenience. Under counter bar installation puts the ice where it is needed.
- Legs allow for cleaning below and aisle ventilation.

24 Hour Volume Production

Air Cooled		
70°F/21°C	Air	ARI 90°F/32°C
50°F/10°C	Water	70°F/21°C
lb/kg		lb/kg
84/38		66/30



Gourmet Ice



Gourmet Cube
1" x 1 1/8" x 1 1/4"
(2.54 x 2.86 x 3.18 cm)

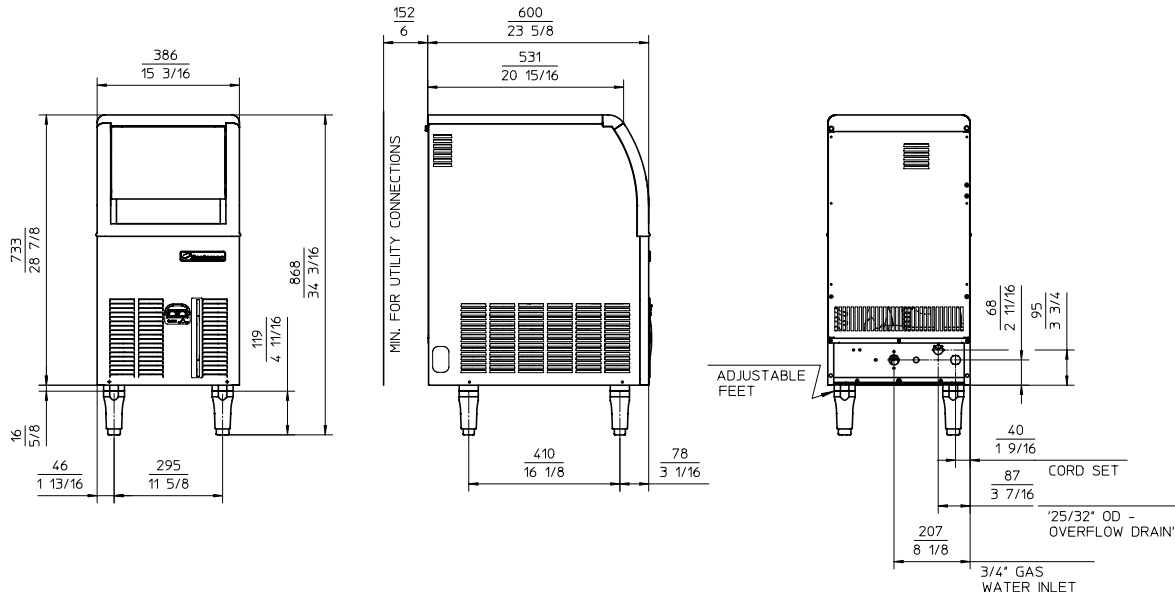
Large, slow-melting ice form, ideal for mixed drinks.

Warranty

- 3 years parts and labor on all components.
- 5 years parts on the compressor and condenser.

Warranty valid in North, South & Central America. Contact factory for warranty in other regions.

Installation Note: Allow 6" space at left, back and right side for ventilation and utility connections.



Specifications

Model Number	Condenser Unit	Storage Capacity lb/kg	Basic Electrical Volts/Hz/Phase	Max. Fuse Size or HACR Circuit Breaker (amps)	Circuit Wires	Min. Circuit Ampacity	Energy Consumption kWh/100 lb (45.4 kg) 90°F(32°C)/70°F(21°C)	Water Usage Gallons/100 lb (liters/45.4 kg)	
								Potable 90°F(32°C)/70°F(21°C)	Condenser 90°F(32°C)/70°F(21°C)
CU0515GA-1A	Air	24/11	115/60/1	15	2	Cord	13.5	37/140	-

Refrigerant: R-134A

All Models

Dimensions (W x D x H):

Unit:

15.19" x 23.63" x 27.13"
(38.1 x 60.0 x 29.4 cm)
(add 5.25" / 13.3 cm for legs)

Shipping Carton:

18" x 26" x 30"
(45.7 x 66.0 x 76.2 cm)

Shipping Weight:

95 lb / 43 kg

BTUs per hour:

2,700

Accessories

Model Number	Description

* Scotsman recommends all ice machines have water filtration. See Scotsman Sanitation Matrix for details.

Operating Requirements

	Minimum	Maximum
Air Temperatures	50°F (10°C)	100°F (38°C)
Water Temperatures	40°F (4.4°C)	100°F (38°C)
Remote Cond. Temps	-20°F (-29°C)	120°F (49°C)
Water Pressures	14 PSIG (1 bar)	70 PSIG (5 bar)
Electrical Voltage	-10%	+10%