

REFRIGERATOR MANUFACTURER
Turbo air
 more durable, efficient, beautiful

4184 E. Conant St.
 Long Beach, CA 90808
 Tel. 310-900-1000
 Fax. 310-900-1077
www.turboairinc.com

Project :
 Model # :
 Item # : Qty :
 Available W/H :
 Approval :

Swing Door Merchandisers

Glass Door Merchandisers
 Refrigerators

FEATURES & BENEFITS

Energy conserving fan control

Utilizing algorithmic air circulation for optimal temperature levels, our innovative fan control system conserves energy by at least 15% and increases compressor life by up to 30%.

Hot gas condensate system

Through Turbo Air's creative innovation, the condensate system surfaces have been specially treated to resist corrosion. This not only increases efficiency without the risk of refrigerant leakage from corrosion, but also prevents the overflow of condensate water.

LED lighting interior display system

Brighter and longer lasting LED lights provide attractive, enhanced illumination compared to fluorescents. It saves energy by producing less heat, while maximizing the visibility in the display area.

LED advertising panel

LED lighting offers 10 times longer lasting life than fluorescents and conserves energy as well.

Double pane glass doors with Low-E glass

Energy saving double pane glass doors are equipped with Low-emissivity glass, which reduce outer heat gain and decrease energy consumption. It enhances energy efficiency and minimizes condensation. Lightweight door construction also reduce door maintenance and bushing wear, which in turn facilitates smoother door openings.

Efficient refrigeration system

Turbo Air's glass door refrigerators are designed with oversized and balanced (CFC Free R-134A) refrigeration systems. These include efficient evaporators and condensers for faster cooling and greater efficiency.

Adjustable, heavy duty, PE (polyethylene) coated wire shelves

Tasteful and modern appearance

The design of our products is one of our top priorities. Whether you have a restaurant, bar, convenience store or gas station, Turbo Air refrigerators will compliment the appearance of your operation.

Magnetic door gaskets

Magnetic door gaskets are of one piece construction, removable without tools for ease of cleaning and replacement.

High-density polyurethane insulation

The entire cabinet structure and solid doors are foamed-in-place using high density, CFC free polyurethane insulation.

Refrigerator holds 33°F ~ 38°F for the best in beverage preservation

**Model : TGM-22RV
 TGM-22RVB**



*Actual shelf organizer may differ in appearance with above picture.



Model	Swing Door	CU./FT.	#of Shelves	HP	AMPS	Crated Weight (lbs.)	L x D x H (inches)
TGM-22RV(B)	1	22	4	1/4	7.6	243	28 3/4 x 27 5/8 x 79 7/8

Model : TGM-22RV(B)

ELECTRICAL DATA	
Voltage	115/60/1
Plug Type	Ⓜ NEMA 5-15P
Full Load Amperes	7.6
Compressor HP	1/4
Cord Length ft.	6
Refrigerant	R-134A
DIMENSIONAL DATA	
# of Doors	1
Net Capacity cu. ft.	22
Ext. Length Overall in.	28 ³ / ₄ (732mm)
Ext. Depth Overall in.*	27 ⁵ / ₈ (702mm)
Ext. Height Overall in.	79 ⁷ / ₈ (2028mm)
Int. Length Overall in.	24 ¹ / ₈ (613mm)
Int. Depth Overall in.	23 ⁵ / ₈ (600mm)
Int. Height Overall in.	62 ¹ / ₈ (1580mm)
Net Weight lbs.	225
Gross Weight lbs.	243
# of Shelves	4
Shelf Size (LxD) in.	25 ¹ / ₂ x 19 ³ / ₈
Bottle Capacity	280 (full)

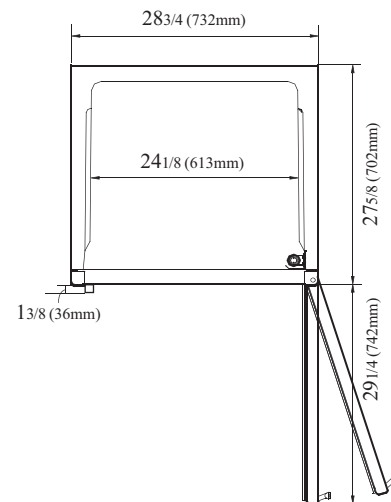
Design and specifications subject to change without notice.
Actual shipping weight may differ due to extra packing materials for product protection.
* Depth does not include 1-3/8" for door handle.

■ **WARRANTY : 2 Year Parts and Labor Warranty
Additional 3 Year Warranty on Compressor**

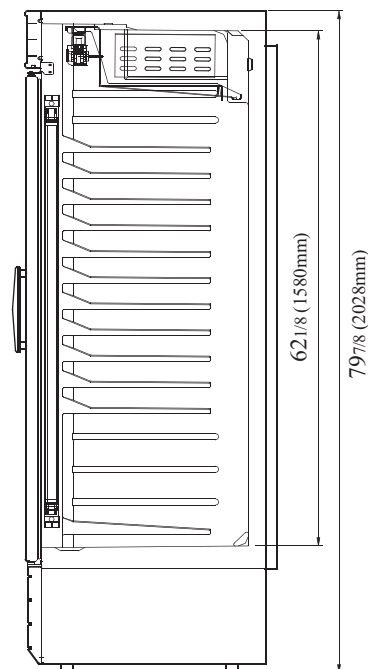
- **White color cabinet & black color frame on door**
- **White and black color cabinet available**
- **Gravity feed shelf available (optional)**
- **Price tag channel shelf available (optional)**

PLAN VIEW

(unit : inch)

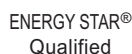


PLAN VIEW



SIDE VIEW

Ver.201501



- Turbo Air : 800-627-0032
- GK : 800-500-3519
- Warranty : 800-381-7770
- AC : 888-900-1002

