

VENTURA L II ZIP



GELATO
ICE CREAM



OSCARTIELLE
SHOWCASE YOUR GOOD TASTE

Ventura L II zip Showcase Options



Custom RAL Color

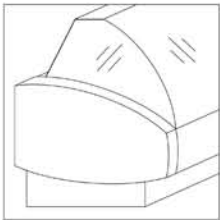
Showcase front & side panels com “standard” in matte white finish.

RAL Custom Color Available

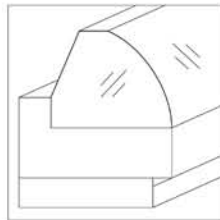
Please refer to the www.OTL-USA.com website for a basic color chart, Paint Chip “Color Fans” are available for \$35 from your dealer.



Decor End Panels



DECORATIVE END PANEL (OPTIONAL)



STANDARD END PANEL

Showcases come in a “Standard End Panel” which lays flush with the side glass.

Decorative End Panels are available at no additional charge. These panels are utilized on “stand alone” cases.

*** Cases will ship with standard (flat panels unless ordered otherwise in writing.)**

Pans



| 5 Liter Gelato Pans | 12 Liter Gelato Pans | Clear Gelato Pans |
|---------------------------|-----------------------|-------------------|
| 14 1/8" x 6 1/2" x 4 5/8" | 14" x 9 7/8" x 5 3/4" | 14" x 6.5" x 4.5" |

Special Order:

Patented by Clabo, the clear Gelato pan is unlike any other. Made of Acrylic Plastic, they allow the products to be more completely visible and are also elevated off of the showcase stage for a more artistic presentation of your most colorful and eye-catching product.

Casters / Wheels



Add wheels to your showcase for easier movement. Sold in pairs, 360° swivel casters(with locking mechanism) are mounted on a common steel plate that are attached to the frame structure.

Z6 Z9 Z12



BID SPECIFICATIONS

STANDARD

- * HEATED FRONT AND SIDE GLASS
- * INCLINE DISPLAY
- * GALVANIZED STEEL CHASSIS CONSTRUCTION
- * SELF-CONTAINED, AIR-COOLED CONDENSING UNIT
- * UNIQUE FAN ASSISTED AIRFLOW DESIGN
- * INSULATED WITH DENSE NON-CFC ECOLOGIC POLYURETHANE FOAM
- * BACK & INSIDE STRUCTURE MADE OF HIGH GLOSS 304 STAINLESS STEEL
- * DIGITAL DIAGNOSTIC CONTROL SYSTEM WITH PROGRAMMABLE DEFROST
- * ILLUMINATED FLAVOR PANEL

- * TILT BACK FRONT GLASS
- * STAINLESS STEEL WORK SURFACE
- * REMOVABLE STAINLESS STEEL DECK
- * REAR PLEXIGLAS SLIDING DOORS
- * DISPLAY CASE(S) TO BE SHIPPED FULLY ASSEMBLED
- * DISPLAY CASE(S) HAVE INTERGRATED ELECTRONIC TIME AND TEMPERATURE CONTROLLER(S) WITH HOT GAS DEFROST STANDARD ON GELATO MODELS
- * THE STANDARD LIMITED WARRANTY INCLUDES:
5 YEAR COMPRESSOR; 1 YEAR PARTS; 90 DAYS LABOR
- * DISPLAY CASE(S) TO BE LABORATORY CERTIFIED AS DESCRIBED

OPTIONAL

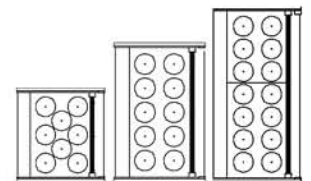
- * CASTERS
- * GRANITE WORK SURFACE (OPERATOR SIDE)
- * REMOTE CONDENSING UNIT
- * PULL DOWN ROLLER CURTAIN
- * DUAL TEMPERATURE ZONES ON G12 MODEL

- * STAINLESS STEEL TEMPLATE TO ACCOMODATE 2.5 GALLON OR 3 GALLON ROUND ICE CREAM TUBS

- * PANS NOT INCLUDED



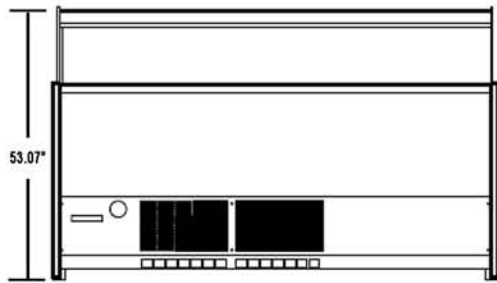
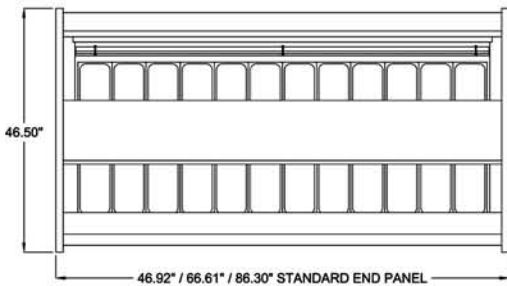
- * RAL CUSTOM COLOR (FRONT & SIDE PANELS) (SHOWCASE SHIPS IN MATTE WHITE FINISH)



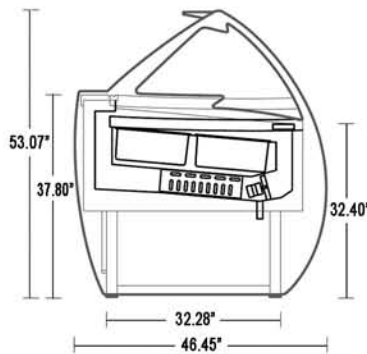
Ventura L II Zip Ice Cream / Gelato Case Technical Specifications

| Updated Model no. | Factory Code | Case Height | *Case Length | Case Depth | Crated Weight (lb) | Line Voltage | Breaker Size | Amp Draw | BTU -20 Evap Temp (R404a) | Working Temp F | Pan Capacity | | | Comp. HP |
|-------------------|--------------|-------------|--------------|------------|--------------------|--------------|--------------|----------|------------------------------|----------------|--------------|----------|--------|----------|
| | | | | | | | | | | | 5 Liter | 12 Liter | Rounds | |
| Z6 | G6 | 52.83" | 46.92" | 46.50" | 950 | 220/1/60 | 20amps | 12 | 3069 | -10 to + 10 | 12 | 8 | 8 | 1 1/2 HP |
| Z9 | G9 | 52.83" | 66.61" | 46.50" | 1110 | 220/1/60 | 20amps | 14 | 6138 | -10 to + 10 | 18 | 12 | 10 | 2 HP |
| Z12 | G12 | 52.83" | 86.30" | 46.50" | 1250 | 220/1/60 | 30amps | 16 | 7850 | -10 to + 10 | 24 | 16 | 14 | 2 X 1 HP |

* Case lengths are specified with standard / flat / technical panels



PLAN & REAR VIEW



SIDE VIEW & TUB LAYOUT

| Factory Code | Pan Layout | Pan Size |
|--------------|------------|----------|
| G6 | | 5 Liter |
| G6 | | 12 Liter |
| G9 | | 5 Liter |
| G9 | | 12 Liter |
| G12 | | 5 Liter |
| G12 | | 12 Liter |

LISTINGS:



ELECTRICAL CONNECTION:

Display cases are shipped with applicable junction box for hardwired installation
Options exist for several NEMA configurations
Plug and/or receptacle configurations are at the discretion of the electrical installer

NOTE:

Required ambient conditions: 75°F; 55% RH
Drawing and Specifications are subject to change without notice

CLABO North America, LLC
33300 Central Avenue
Union City, CA 94587 USA
PH 800.672.2784
FAX 510.441.0401
<http://www.otl-usa.com>



Modular Counter Systems



Oscartielle Showcases are only half of the story! Clabo also offers a free design service that allows customers to add one of our 18 Artic or iBar modular front counters and back counter systems that compliment Oscartielle showcases.

Ask your dealer about adding a matching Artic or iBar counter system to your showcase.



Pepita w/ Zip



Lucky w/ Zip



Tecnica



OSCARTIELLE

CLABO NORTH AMERICA, LLC

800.672.2784

www.otl-usa.com