



IL FORNO CLASSICO

**BRICK
LINING NOW
STANDARD!**



Model FC-616

SPECIFICATIONS

The BAKERS PRIDE IL Forno Classico combines the ambiance of a traditional old world brick oven with the convenience, control and precision of modern technology, and is perfect for display kitchens and exhibition cooking.

The IL Forno Classico features a steel-reinforced, arched open hearth up to 32" wide (813mm) a visible 20,000 BTUH open flame burner for ambiance and additional top heat with a large lintel plate/landing shelf for ease of operation. Another 120,000 BTUH gas dual burner provides thermostatically controlled temperatures with independent, operator-controlled top & bottom heat control dampers and micro slides for perfectly balanced results.

IL Forno Classico is designed and engineered to be used either as-is, or finished and trimmed with brass, copper, etc. for an elegant high-tech presentation, or finished DSP style with tile, stone or thin brick applied directly to the oven exterior, or built-in behind a decorative facade of brick, stone or tile for an old-world look.

The IL Forno Classico is available in three sizes to meet your space requirements and may be stacked on our standard deck ovens for increased capacity & production in limited spaces. Designed and engineered to fit through a standard door opening, the IL Forno is assembled on-site thus eliminating the need for heavy equipment and cranes.

Standard features include removable 1 1/2" (38mm) thick hearth baking decks, 300°-650°F (149°-343°C) throttling thermostat, removable front mounted flue for easy access for installation of hearth decks, standard brick lining, front or side mounted controls behind an extra large black powder-coated access panel, rear gas & electrical connections, combination gas control valve, slide-out flame diverters for even heat distribution, fully insulated, spring-balanced doors and heavy duty, 7-gauge steel legs in a variety of heights, with or without casters.

Interior oven frame is constructed of 1/4" (6mm) heavy-duty angle iron, completely welded to form a single unitized section. The oven body and lining are then welded to the oven framework. Oven interiors are manufactured of high-heat resistant 16-gauge aluminized steel.

2 year limited parts & labor warranty.

Job _____ Item # _____

GAS DECK OVENS



SINGLE DECK MODELS

- Model FC-516
- Model FC-616
- Model FC-816

STANDARD FEATURES

- 140,000 BTUH total in natural or LP gas (CE not available in LP gas)
- Brick lining for additional top heat & quicker recovery
- Stackable with traditional deck ovens
- 120v, 15 amp igniter with cord & plug
- 300°-650° F (149°-343°C) throttling thermostat
- Top & bottom heat control dampers & micro-slides
- Combination gas controls with valve, regulator & safety pilot
- Side or front mounted controls
- Rear gas & electrical connections
- Heavy-duty, slide-out flame diverters
- 1 1/2" (38mm) thick hearth baking decks
- Stainless steel or black powder coated doors, control panel and flu cover
- Combustion chamber door in black powder coat with custom hard wood handles or stainless steel with tubular chrome plated handle
- Skirts provided on DSP style ovens only
- Spring balanced combustion chamber door
- 7-Gauge legs with casters (casters not provided on DSP style ovens)
- Fully insulated throughout
- 2 Year limited part and labor warranty

OPTIONS & ACCESSORIES

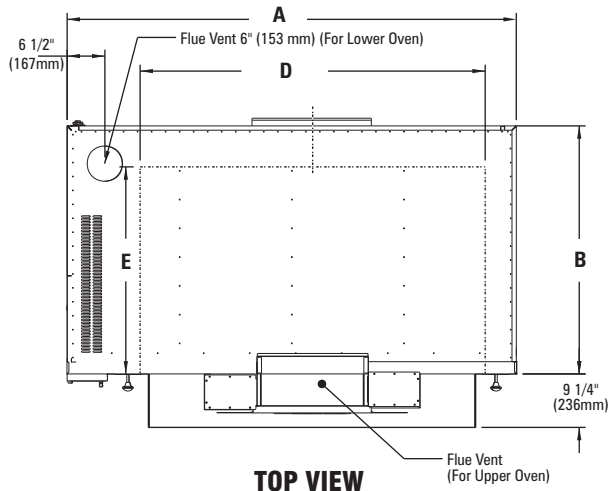
- Natural Wood smoke essence boxes
- Eye Brow style exhaust hood
- Custom height legs
- Stainless steel lintel plate cover
- 2 1/2" thick fire bricks (not available on FC-816)
- 208v, 220v or 240v electrical connection
- Remote controls for booster burner
- Automatic oven starter
- On-site training & chef support

CERTIFICATIONS

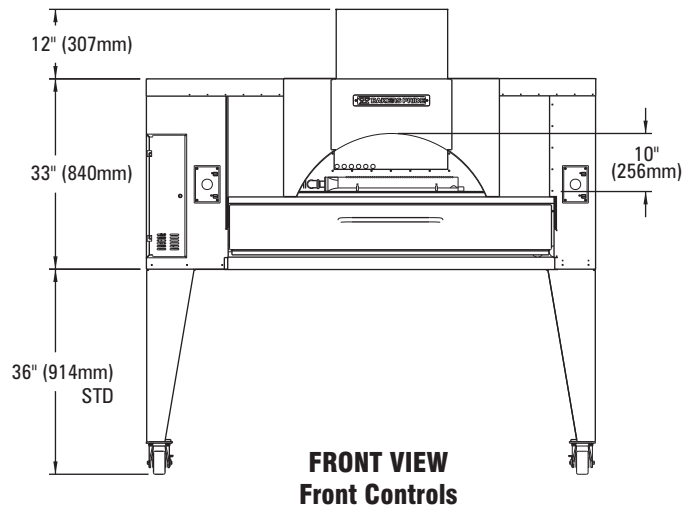
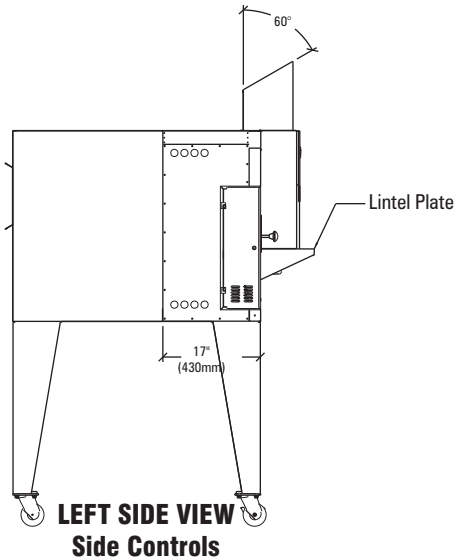


BAKERS PRIDE OVEN COMPANY, INC.
30 Pine Street, New Rochelle, NY 10801
914/576-0200 • 1-800-431-2745 • fax 914/576-0605
www.bakerspride.com

Continuous product improvement is a policy of Bakers Pride Oven Company. Therefore, specifications and design are subject to change without notification



**SIDE-MOUNTED
CONTROLS
AVAILABLE**



ALL DIMENSIONS NOMINAL

SHIPPING INFORMATION

Model	Shipping Weight		Carton Dimensions				Crate Size			
	Lbs.	Kilos	Width Inches	mm	Depth Inches	mm	Height Inches	mm	Cubic Feet	Cubic Meter
FC-516	1588	720	40	1016	74	1880	62	1575	105	3.0
FC-616	1925	873	40	1016	84	2134	69	1753	133	3.7
FC-816	2155	978	40	1016	88	2236	69	1753	139	3.9

Shipping Class #70
Hearth Decks and Legs ship in separate cartons
For DSP style installations, 36" legs are provided without casters

POWER SUPPLY

Model	GAS TYPE	BTUH	KW	CONNECTION	VOLTAGE
FC-516	nat or LP	140,000	41.03	3/4"	120/208/240
FC-616	nat or LP	140,000	41.03	3/4"	120/208/240
FC-816	nat or LP	140,000	41.03	3/4"	120/208/240

CE certification not available in LP gas
Each oven requires separate gas connections

SPECIFICATIONS

Model	Oven				# Decks	Deck				Arched Opening			
	Width A		Depth B			Width D		Depth E		Width		Height	
	Inches	mm	Inches	mm		Inches	mm	Inches	mm	Inches	mm	Inches	mm
FC-516	65 1/4	1657	43	1092	1	48	1219	36	914	24	610	12	305
FC-616	78	1981	43	1092	1	60	1524	36	914	32	810	10	254
FC-816	84	2134	51	1295	1	66	1676	44	1118	32	810	10	254

MINIMUM CLEARANCES

	Noncombustible Construction		Combustible Construction	
	Inches	mm	Inches	mm
Right	0	0	1	25
Left	0	0	3	76
Rear	2	51	3	76
Front Flue Area	Enclose with Non-combustable materials			



BAKERS PRIDE OVEN COMPANY, INC.
30 Pine Street, New Rochelle, NY 10801
914/576-0200 • 1-800-431-2745 • fax 914/576-0605
www.bakerspride.com

Continuous product improvement is a policy of Bakers Pride Oven Company. Therefore, specifications and design are subject to change without notification

TSW:05/08