

# SOMERSET

Tel: 978.667.3355

800.772.4404

Fax: 978.671.9466

Email: [somerset@smrset.com](mailto:somerset@smrset.com)

[www.smrset.com](http://www.smrset.com)

## CDR-2100S

## DOUGH • ROLLER

### **Ideal for pizza as well as:**

- *Rolled In Dough*
- *Cookies*
- *Sheeting*
- *Pita Bread*
- *Pie Crusts*
- *Flour Tortillas*
- *Sweet Doughs*
- *Calzones*
- *Cinnamon Rolls*
- *Pierogi*

### **Highlights:**

- *Ships standard with synthetic, non-stick rollers*
- *Sheets 500-600 pcs. per hour*
- *Ergonomic design makes it easy and simple to operate*
- *Sheets dough to a uniform thickness in seconds*
- *All stainless steel construction offers safety, sanitation, speed, simplicity, durability, and low cost*



### Features

- The most advanced *SIDE OPERATED* compact sheeter
- Spring loaded scrapers readily removable for easy cleaning
- Compact design, ideal for use in limited space
- Safety sensors for automatic shutoff
- Ergonomic design for easy operation
- Convenient side operation
- Large hopper accepts large pieces of dough
- Maintenance free drive mechanism
- Drive mechanism isolated from roller area
- Safe, simple, easy to operate, easy to clean
- Your choice of synthetic or hard chrome plated rollers
- Sanitary, heavy duty, all stainless steel welded construction
- Simple handle adjustments for exact uniform dough thickness

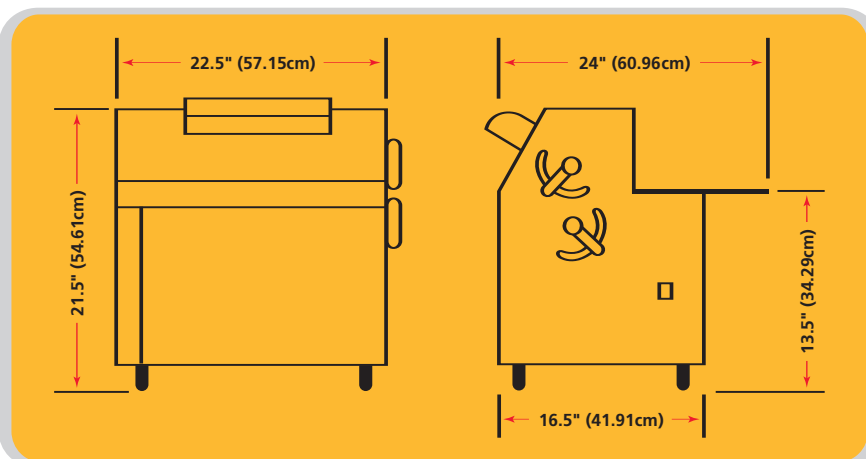


*Available with metallic rollers  
(please specify CDR-2100M )*

### Industry Uses:

- Pizzerias
- Restaurants
- Institutions
- Schools
- Mexican establishments
- Other ethnic food production
- Cafes
- Bakeries

### Specifications



**Rollers:** 3.5" (8.89 cm) dia. by 20" (50.80 cm) length

**Scrapers:** Synthetic, Spring Loaded, Removable

**Bearings:** Sealed Ball Bearings, Permanently Lubricated

**Gear Motor:** Heavy Duty 3/4 HP, Maintenance Free, Single Phase, 115v/60Hz or 220v/50Hz

**Finishing:** All Stainless Steel

**Legs:** 4" Adjustable, Stainless Steel

**Shipping Weight:** 205 lbs (93kgs)