



Electrolux

Spin Dryers Vegetable Dryer, 20gal with basket, stainless steel

ITEM # _____

MODEL # _____

NAME # _____

SIS # _____

AIA # _____



Spin Dryers

Vegetable Dryer, 20gal with basket,
stainless steel

601559 (VP1)

VP1-Greens Machine
Vegetable Dryer, floor model,
20 gallon, capacity
approximately 16 heads of
chopped lettuce, adjustable
on/off timer, stainless steel
outer shell, polyethylene
interliner, stainless steel lid,
casters, 8' cord

Short Form Specification

Item No. _____

VP1-Greens Machine Vegetable Dryer, floor model, 20 gallon, capacity approximately 16 heads of chopped lettuce, adjustable on/off timer, stainless steel outer shell, polyethylene inner liner, stainless steel lid, casters, 1/4 HP, 115v/60/1, 2.7 amps, NEMA 5-15P, 8' cord

Main Features

- Very flexible machine, it can be placed on various surfaces and thanks to the built in reservoir, water can be easily collected.
- Dries up to 16 heads of lettuce in under 5 minutes without damaging even the most fragile leaves.
- Easy to reach control knob with adjustable ON/OFF 5 minute timer.
- Easy lock castors.
- Easy to load polyethylene inner basket with handle grips.
- Balanced stainless steel driver, easy to remove for cleaning.
- Built in water drain reservoir.
- ETL electrical and sanitation listed.
- 2 year parts warranty, 1 year labor.

Construction

- Sturdy polyethylene base totally sealed.
- Stainless steel tub and lid dimensions:
 - Height: 32.5"
 - Diameter: 27"
- Inner line capacity: 20 gal./18 lbs.
 - Height: 17"
 - Diameter: 15.68"
- Removable resin basket, 20 gal capacity.
- Basket rotate at approximately 455 rpm.

Included Accessories

- 1 of Stainless steel lid for 20 gal. vegetable PNC 653628 dryer.

Optional Accessories

- Extra inner liner for 20 gal. vegetable dryer PNC 653626
- and inner white lid.
- Stainless steel lid for 20 gal. vegetable PNC 653628
- dryer.
- White lid for 20gal vegetable dryer PNC 653629
- Inner lid for 20gal vegetable dryer PNC 653630



APPROVAL: _____

Electrolux Professional, Inc.

www.electroluxusa.com/professional

10200 David Taylor Drive, Charlotte, NC 28262 • Telephone Number: 866-449-4200 • Fax Number: 704-547-7401



Electrolux

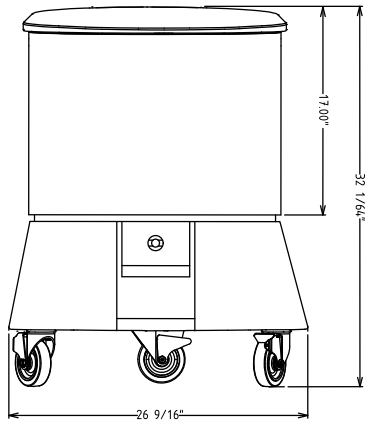
Spin Dryers
Vegetable Dryer, 20gal with basket, stainless steel



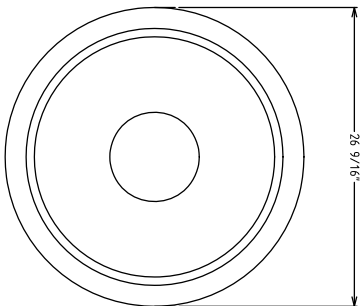
Electrolux

Spin Dryers Vegetable Dryer, 20gal with basket, stainless steel

Front

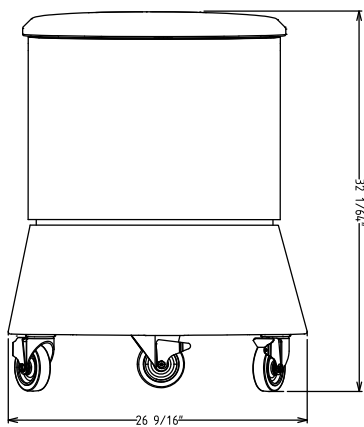


Top



EI = Electrical connection

Side



Electric

Supply voltage:

601559 (VP1)

115 V/1N ph/60 Hz

Connected load:

0.186 kW

Total Watts:

0.186 kW

Key Information:

External dimensions, Width:

26 9/16" (675 mm)

External dimensions, Depth:

26 9/16" (675 mm)

External dimensions, Height:

32 1/64" (813 mm)

Shipping width:

27 1/64" (686 mm)

Shipping depth:

27 1/64" (686 mm)

Shipping weight:

79 lbs (36 kg)

Shipping volume:

13.93 ft³ (0.39 m³)

**Spin Dryers
Vegetable Dryer, 20gal with basket, stainless steel**

The company reserves the right to make modifications to the products without prior notice. All information correct at time of printing.

2014.09.02