



a Standex company

ITEM: _____ PROJECT NAME: _____ DATE: _____

CURVED GLASS REFRIGERATED BAKERY CASE

- MODEL **CGR3148** **CGR5048**
 CGR3642 **CGR5942**
 CGR3648 **CGR5948**
 CGR5042 **CGR7742**
 CGR7748



*Sleek curved-glass styling blends with traditional design elements to maximize performance. Cases are available in lengths of 31", 36", 50", 59", and 77".
 Designed for continuous case line-ups without middle end glass.*

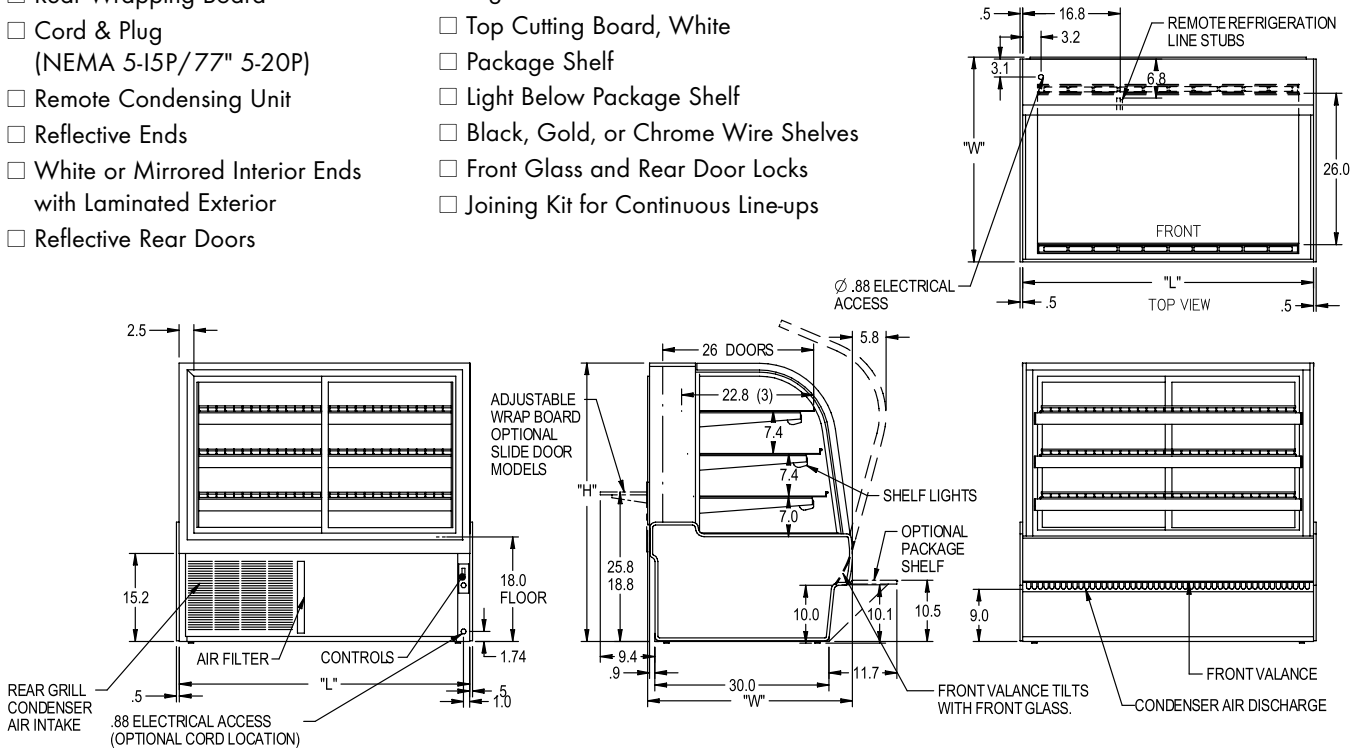
STANDARD FEATURES

- Curved glass styling.
- Adjustable white wire shelves. Shelves are adjustable up and down and can also be tilted in three positions. 48" models have three tiers of shelves; 42" models have two tiers of shelves.
- Tempered thermopane tilt-out front glass for easy cleaning. Front glass is curved for high visual product display.
- Tempered thermopane glass ends, sides, and doors.
- Removable sliding rear doors, shelf lights, shelf supports, and shelves.
- 31" has a swing door, hinged right or left.
- Shielded top light and shelf lights.
- Steel base construction with a choice of six standard laminates on base. Other finishes optional.
- Condenser air filter on self-contained units.
- Thermometer.
- Removable, scratch-resistant, rustproof white display deck.
- Condensate evaporator provided for a totally self-contained system.
- Oversized coil and low-velocity fan system maintains high humidity and product freshness.
- Easy clean, rustproof insulated evaporator coil compartment.
- Easily accessible light switch and adjustable temperature control.
- Average case temperature of 38° to 40°F is maintained.
- Rear access to the refrigeration system for quick and easy service.
- Designed for continuous line-ups.
- Black trim.
- 134A Refrigerant.
- UL Safety and UL Sanitation Listed.

CURVED GLASS REFRIGERATED BAKERY CASE

OPTIONAL ACCESSORIES:

- Special Base Finish
- Glass Shelves
- Rear Wrapping Board
- Cord & Plug
(NEMA 5-15P/77" 5-20P)
- Remote Condensing Unit
- Reflective Ends
- White or Mirrored Interior Ends with Laminated Exterior
- Reflective Rear Doors
- Casters/Cord & Plug Included
(Self-Contained Models Only)
- Legs
- Top Cutting Board, White
- Package Shelf
- Light Below Package Shelf
- Black, Gold, or Chrome Wire Shelves
- Front Glass and Rear Door Locks
- Joining Kit for Continuous Line-ups



SPECIFICATIONS:

Model	Dimensions L W H	Capacity (Bakery Pan)	Self-Contained 120/60/1	Remote 120/60/1
<input type="checkbox"/> CGR3148	31.13" x 35.31" x 48"	4 (18" x 26") & 4 (9" x 26")	1/3 HP • 8.0 AMPS	2.1 AMPS
<input type="checkbox"/> CGR3642	36.13" x 35.31" x 42"	3 (18" x 26") & 3 (9" x 26")	1/3 HP • 9.0 AMPS	2.3 AMPS
<input type="checkbox"/> CGR3648	36.13" x 35.31" x 48"	4 (18" x 26") & 4 (9" x 26")	1/3 HP • 9.0 AMPS	2.3 AMPS
<input type="checkbox"/> CGR5042	50.13" x 35.31" x 42"	6 (18" x 26") & 3 (9" x 26")	1/2 HP • 10.5 AMPS	2.3 AMPS
<input type="checkbox"/> CGR5048	50.13" x 35.31" x 48"	8 (18" x 26") & 4 (9" x 26")	1/2 HP • 10.5 AMPS	2.3 AMPS
<input type="checkbox"/> CGR5942	59.13" x 35.31" x 42"	9 (18" x 26")	1/2 HP • 12.0 AMPS	2.5 AMPS
<input type="checkbox"/> CGR5948	59.13" x 35.31" x 48"	12 (18" x 26")	1/2 HP • 12.0 AMPS	2.5 AMPS
<input type="checkbox"/> CGR7742	77.13" x 35.31" x 42"	12 (18" x 26")	3/4 HP • 15.4 AMPS	3.3 AMPS
<input type="checkbox"/> CGR7748	77.13" x 35.31" x 48"	16 (18" x 26")	3/4 HP • 15.4 AMPS	3.3 AMPS

- Refrigerated cases are designed to operate in a maximum environment of 75°F ambient and 55% relative humidity.
- Due to continuing engineering improvements, specifications are subject to change without notice.



The Signature of Quality

FEDERAL INDUSTRIES
A Standex Company

215 FEDERAL AVENUE, BELLEVILLE, WISCONSIN 53508-9201
PHONE: 800-356-4206 **FAX: 608-424-3234**
EMAIL: geninfo@federalind.com **WEBSITE: www.federalind.com**

