

FRYMASTER MJ45

GAS FRYERS

Specifically designed for high-volume frying. The MJ45 has a minimum 20 litres and maximum 25 litres shortening capacity. The frying area is 356 x 381 mm at shortening level. This 128.7mj model is specifically designed for high-volume frying and produces 36kg of French fries per hour frozen to done. The exclusive 1° action thermostat anticipates rapid rate of temperature rise, reducing temperature overshoot, extending shortening life and producing a more uniformly-cooked product. Centerline thermostat mounting permits quick sensing (7 to 10 seconds) of cold food placed in either basket. Master Jet burner has no burner tube radiants to burn out. No burner cleaning or air shutter adjustment is required.

The open stainless steel frypot has a large heat transfer area to fry more product per load. The open -pot design has no hard-to-clean tubes. Every inch of the frypot and cold zone can be cleaned and wiped down by hand.



STANDARD FEATURES

- Open-pot design, no tubes, easy to clean
- Durable centerline thermostat
- 7-to-10 second response to loads, 1° anticipating action, reduced temperature overshoot
- Deep cold zone, 32 mm IPS ball-type drain valve
- Master Jet burner, no burner tube radiants to burn out, no cleaning or adjusting air shutters
- Rounded corners for easy-to-clean "Euro" look

OPTIONAL FEATURES

- | | |
|---|--|
| <ul style="list-style-type: none"> ● Computer, basket lift timer, digital or solid state controller ● Frypot cover ● Full size basket in lieu of twin baskets ● Screen-type basket support ● Automatic basket lifts ● Shortening melt cycle control ● Stainless steel apron drain with basket (interchangeable right or left side) | <ul style="list-style-type: none"> ● Electronic ignition (must use one of the above controllers) ● Sediment tray ● Fryer's Friend clean-out rod ● Fishplate ● Piezo ignitor |
|---|--|

SPECIFICATIONS ARE SUBJECT TO CHANGE WITHOUT NOTICE.

From the world of Comcater!

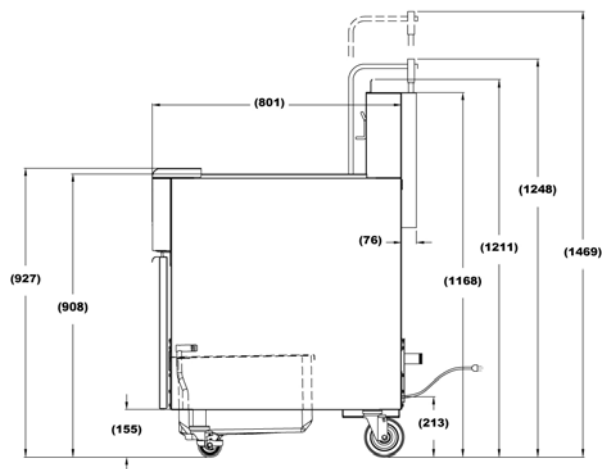
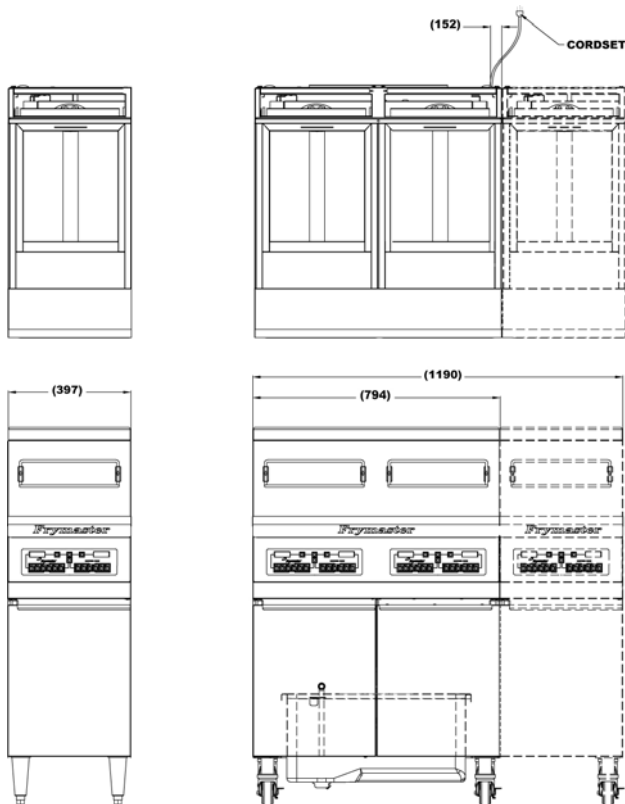
National Head Office
156 Swann Drive
Derrimut VIC 3030
Tel: +61 3 8369 4600
Fax: +61 3 8369 4695

Melbourne
96-100 Tope Street,
South Melbourne VIC 3205
Tel: +61 3 8369 4600
Fax: +61 2 8699 1299

Sydney
20/4 Avenue of the Americas
Newington, NSW 2127
Tel: +61 2 9748 3000
Fax: +61 2 9 648 4762

Brisbane
1/62 Borthwick Avenue
Murarrie QLD 4172
Tel: +61 7 3399 3122
Fax: +61 7 3399 5311

FRYMASTER MJ45



DIMENSIONS

Without Basket Lifts: 397W x 801L x 1168H mm
 With Basket Lifts: 397W x 878L x 1211H mm

Weight: 66 kg without basket lifts
 84kg with basket lifts

Drain Height: 269mm

TECHNICAL DATA

Gas Type Natural or LP
 Power Output 128.7mj

CLEARANCE

Sides & Rear 152mm
 Front 610mm

SPECIFICATIONS ARE SUBJECT TO CHANGE WITHOUT NOTICE.



www.comcater.com.au

PROUDLY DISTRIBUTED BY: