

PROJECT	QUANTITY	ITEM NO
---------	----------	---------

High Volume Pressure Fryers

PFG 691 Gas



PFG 691 high volume gas pressure fryer

Henny Penny first introduced commercial pressure frying to the foodservice industry more than 50 years ago. Frying under pressure enables lower cooking temperatures for longer oil life, and faster cooking times to meet peak demand. Pressure also seals in food's natural juices and reduces the amount of oil absorbed into product.

Today, Henny Penny pressure fryers continue to lead the industry in performance, durability and innovation.

The Henny Penny PFG 691 is the only gas pressure fryer on the market that cooks up to 24 lb (11 kg) of food in a single load. For higher volume operations, that can mean significant savings in time, labor, frying oil, energy and maintenance compared to an equivalent capacity of smaller pressure fryers from other manufacturers.

A powerful, extremely efficient heat exchange design generates fast temperature recovery while producing among the industry's lowest average exhaust gas temperatures. Large loads are cooked evenly and handled easily with the patented counter-balance lift system.

Henny Penny pressure fryers have a built-in filtration system that filters and returns hot frying oil in minutes. No separate pumps and pans, no handling hot oil.

The Computron™ 8000 control features automatic, programmable operation, as well as energy-saving, filtration and cook management functions.

Standard Features

- Patented counter-balanced lid lift and lock system for easy loading and unloading
- Heavy-duty stainless steel fry pot with 7-year warranty
- Rectangular fry pot design promotes turbulence for even cooking
- Fry pot is fully insulated for energy efficient operation
- 4 high-efficiency burners with solid state ignition
- Patented draft-induced heat transfer technology
- Cold zone below burners helps extend oil life
- High-limit temperature protection
- Lid remains in locked position until pressure reaches 1 psi
- Built-in filtration system
- Raised edge on deck reduces spills
- Stainless steel construction for easy-cleaning and long life
- 4 heavy-duty casters, 2 locking
- Computron™ 8000 control
 - 10 programmable cook cycles
 - Melt mode
 - Idle mode
 - Clean-out mode
 - Water detection alert
 - Load compensation
 - Proportional control
 - Optional filter prompt and customizable filter tracking
 - 16-character digital display with multiple language settings

Accessories shipped with unit

- Loading carrier
- Basket configuration, choose one:
 - Full basket—4 flat wire baskets, 1 wire rack cover, rack handle
 - Half-size rack—4 wire racks, 1 wire rack cover, rack handle
- Stirrer and drain clean-out rod
- Max filter screen and 2 PHT filter envelopes

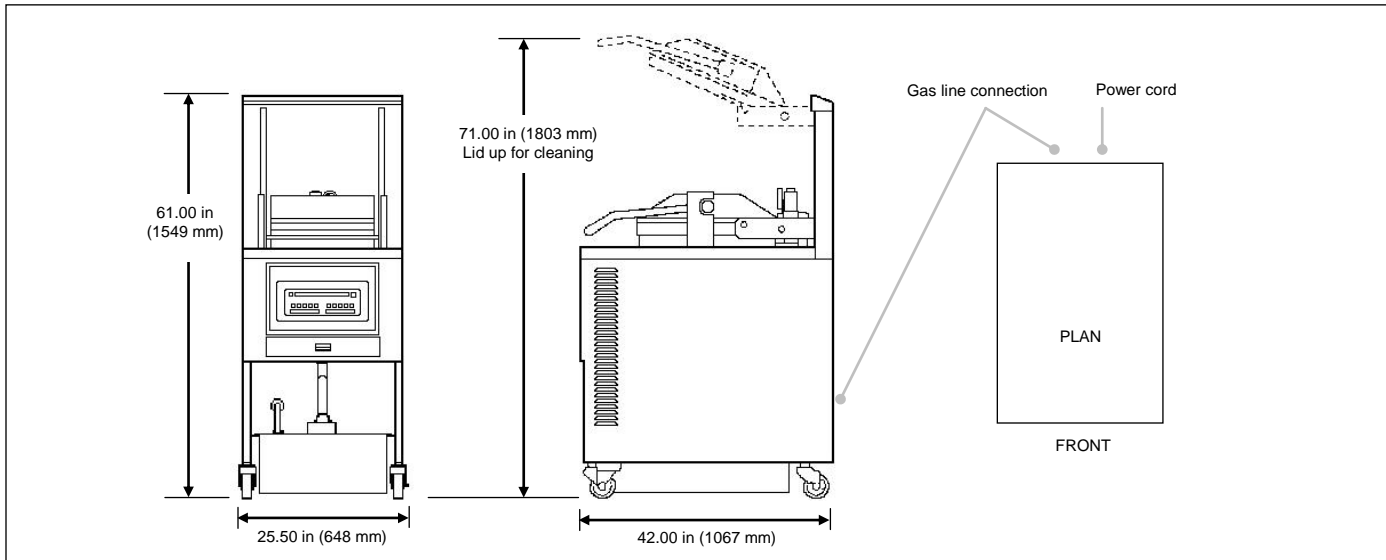
Accessories and options available separately

- Direct Connect shortening disposal
- Fryer Shortening Shuttle®
- Filter rinse hose
- Filter pan dolly
- Supersorb filter pad

<input type="checkbox"/> APPROVED	<input type="checkbox"/> APPROVED AS NOTED	<input type="checkbox"/> RESUBMIT
AUTHORIZED SIGNATURE		DATE



High Volume Pressure Fryers

PFG 691 Gas

Dimensions

Height	61.00 in	(1549 mm)	to top of stack
Height	71.00 in	(1803 mm)	with lid up
Width	25.50 in	(648 mm)	
Depth	42.00 in	(1067 mm)	

Crated

Length	46 in	(1168 mm)
Depth	30 in	(762 mm)
Height	70 in	(1778 mm)
Volume	56 ft ³	(1.6 m ³)
Weight	865 lb	(393 kg)

Required clearances

Top	10 in	(254 mm)	lid up to clean
Sides	6 in	(152 mm)	air flow
Back	6 in	(152 mm)	air flow
Front	38 in	(965 mm)	remove filter pan

Electrical

Volts	Phase	Hertz	kW	Amps	Wire
100	1	50/60	1.20	12.0	2+G
120	1	60	1.20	10.0	2+G
220-240	1	50/60	1.20	6.0	2+G
230	1	50	1.20	2.5	1NG

Optional power cord and plug can be supplied for 120 V units only

NEMA 5-15P


Pressure

Operating pressure	12.0 psi
Safety valve setting	14.5 psi

Heating

Natural gas or liquid petroleum
4 burners
0.75 in gas line
100,000 BTU/hr or 26.4 kW

Capacity

Product	24 lb (11 kg)/8 head chicken
Oil	130 lb or 61 L

Bidding specifications

Provide Henny Penny model PFG 691 high-volume gas pressure fryer, 24 lb (11 kg)/8-head chicken capacity per load, with built-in filtration system.

Unit shall incorporate:

- Computron™ 8000 control system with programmable or manual operation, LED digital display, idle and melt modes, load compensation, filtration tracking and 7-day history
- Fry pot of heavy duty stainless steel with 7-year warranty
- Patented counter-balanced lid lift and lock system to seal and create and maintain 12 psi pressure in cooking chamber
- 4 heavy-duty casters, 2 locking

Laboratory certifications


Continuing product improvement may subject specifications to change without notice.

24 Hour Technical Support:
Henny Penny Technical Service
800 417.8405
technicalservices@hennypenny.com

Henny Penny Corporation
PO Box 60 Eaton OH 45320 USA

+1 937 456.8400 800 417.8417
+1 937 456.8434 Fax 800 417.8434 Fax

www.hennypenny.com

HENNY PENNY
Engineered to Last