

HOBART

FOOD EQUIPMENT

**HBDO SERIES
ELECTRIC DECK OVENS****FEATURES**

- Microprocessor-based digital controller tested to meet NEMA 4X standards for water and corrosion resistance.
- 0-100% heat range setting (5% increments) each deck. Each deck has four heat element zones for even heat distribution.
- 20 menu program standard for each oven deck — stores bake temperature and time, heat range settings and steam time (equipped with steam option).
- Interior lighting.
- Stainless steel front and doors with viewing glass. Painted sides and back. Stainless steel clad back and sides (optional).
- Built-in steam system (optional).
- Stone hearth (optional).
- Electrically operated damper control.
- Stacked capability...a simple way to increase oven capacity when required.
- 8" and 10" deck heights available.
- Modular construction...each deck separately heated and operated.
- Fast, continuous operation.
- Quick start-up...from cold to required baking temperature.
- Compact...with a capacity of up to 12 pans. The oven requires only 18 sq. ft. of floor space.
- Mobile unit...heavy-duty casters with locking front wheels.

- Oven available in one (1) to four (4) deck configuration with any combination of 8" and/or 10" decks.

Specifications, Details and Dimensions on Reverse Side.



HBDO SERIES ELECTRIC DECK OVENS



GENERAL:

All models are shipped in one piece. Available in a combination of low and high crown decks, as composite oven.

ELECTRICAL: 208/240/60/3 is standard. Other voltages available on special request. Maximum electrical load per deck: 8" Crown - 8KW; 10" Crown - 8KW.

VENT DUCT: 4" round duct.

SHIPPING WT.: (Approx.)

- 1 Deck - 1170 lbs.
- 2 Decks - 1530 lbs.
- 3 Decks - 1960 lbs.
- 4 Decks - 2335 lbs.

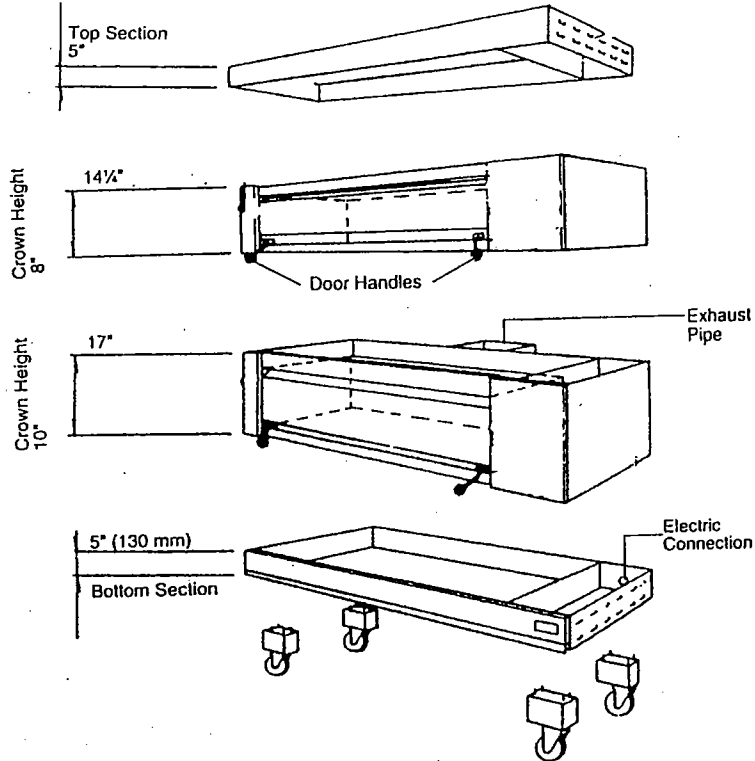
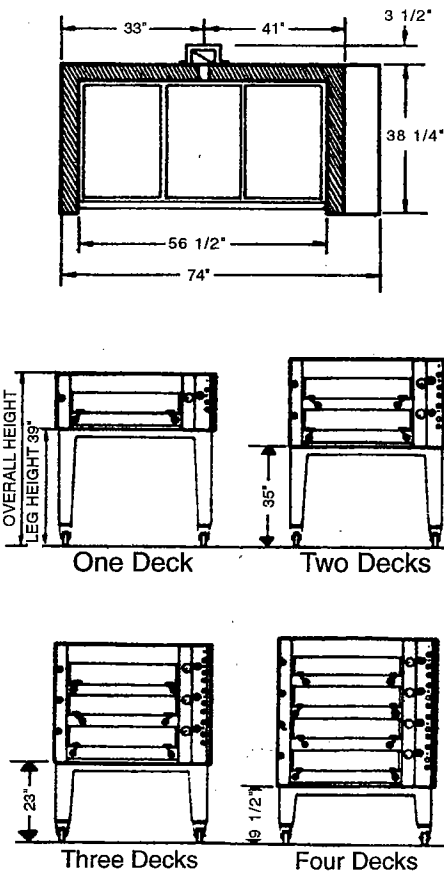
AMP CHART

- ① Select proper deck height.
- ② Multiply the amount by number of decks in unit.

Deck Height	KW	Total Amps - 3Ph.		
		208	240	480
10"	8	26.0	30.0	15.0
8"	8	26.0	30.0	15.0

Manufacturer reserves the right to make changes in sizes and specifications.

DETAILS AND DIMENSIONS



*To determine oven height, add dimension of top section, bottom section, leg ht. and selected deck ht. as follows: 5" crown = 11 1/2"; 8" crown = 14 1/2"; 10" crown = 17".



EXECUTIVE OFFICES
701 RIDGE AVENUE
TROY, OHIO 45374-0001

LITHO IN U.S.A. (H-42)

FORM F-7591 (1094)