

MODEL	WxDxH	DOOR	SHELF	H.P.	VOLT	WEIGHT
HBK77	77x34x53	2	3	1/2	115	720

***Remote unit price is not including any cooling system assembly parts. (Evaporator only)**



HBK77

FEATURES AND BENEFITS

***Mechanically Controlled Uniform Temperature**

***Excellent Cooling Performance**
Over-sized condenser & evaporator coil keeping food fresh.

*Thermo-pane glass top, front and sides.
thermo-pane glass sliding doors rear
*Stainless Steel floor and welded bases construction.

Exterior-Stainless steel and Glass
Interior - Stainless steel bottom

*Three Level Adjustable Up and Down Epoxy Wire Shelves

*Independently wired Shelf Lights

***Defrost Timer System**


By keeping cooling systems separate from the evaporator, it does not ice up or inhibit the compressor, giving the unit outstanding performance and a long life even in the most difficult environments

***The Famous American Brand "Tecumseh" Compressor**

*Holds 37°F - 40°F

*HBK models are designed to operate in an environment where temperature & humidity do not exceed 75°F and 65% relative humidity.

***Self evaporated water from evaporator (for Self-Contain only)**
No Plumbing Required

*ETL listed 

***MEA City of New York Building Department Approved**

***DRY UNIT - NOT WITH THERMO PANE GLASS AND NO ANY COOLING SYSTEM INCLUDED.**

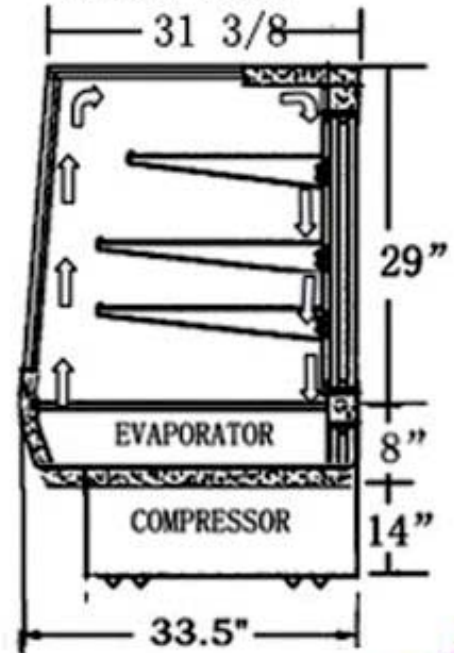
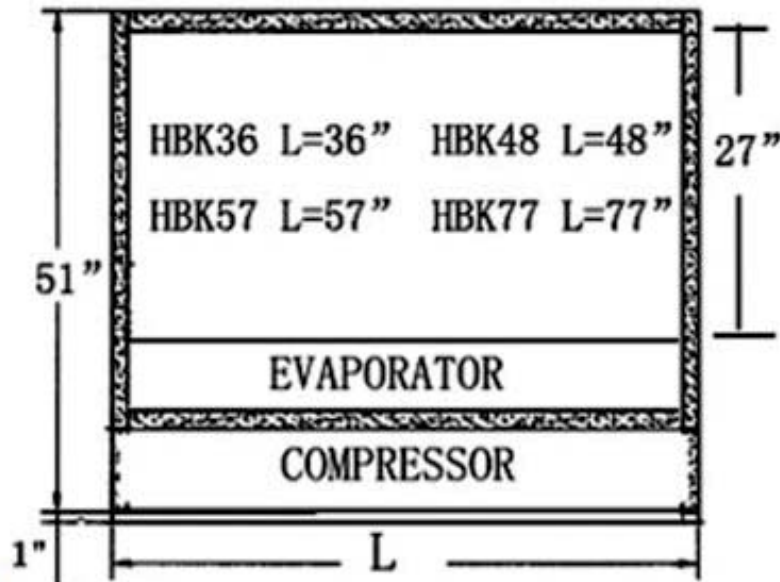
***Specifications Subject To Change Without Notice**

22

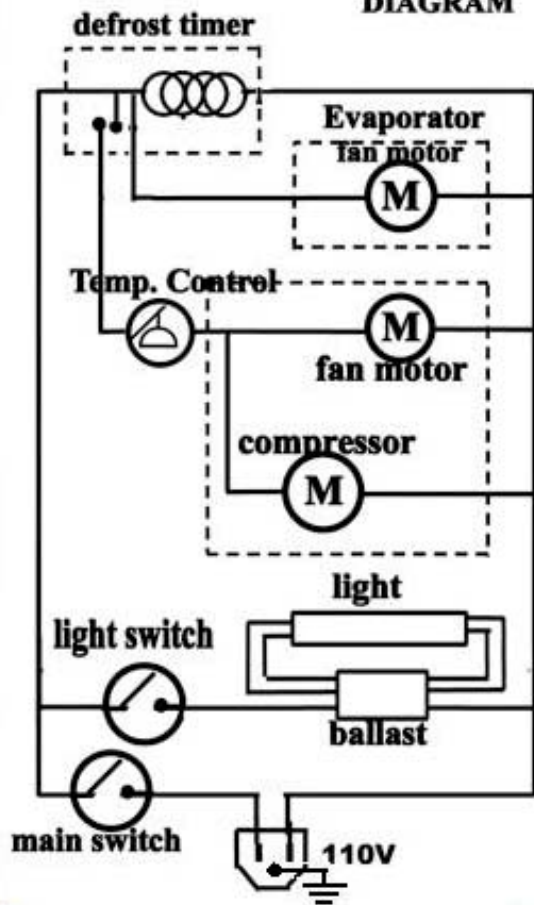
FRONT VIEW

MODEL: HBK

SIDE VIEW



DIAGRAM



BEST QUALITY

BEST SERVICE

BEST VALUE

SINCE 1992