

MODEL	WxDxH	DOOR	SHELF	H.P.	VOLT	FOR 1/6 PAN	WEIGHT	CU.FT.
LM36 S/C	36x32x45	1 1/2	1	1/4	115	12	176	12.2



LM36

FEATURES AND BENEFITS

- *Exterior – Stainless Steel front and top
- *Interior – Aluminum side, Stainless Steel bottom.
- *Excellent Cooling Performance
Over-sized condenser & Evaporator
Keep food fresh.
- *The Famous American Brand
“Tecumseh” Compressor
- *Defrost Timer System
By keeping cooling systems separate from the evaporator, it does not ice up or inhibit the compressor, giving the unit outstanding performance and a long life even in the most difficult environments.
- *Self-closing door
- *Adjustable Epoxy Wire shelves
Durable and Easy to Adjust

- *5” Casters Standard
- *Holds 34°F - 40°F

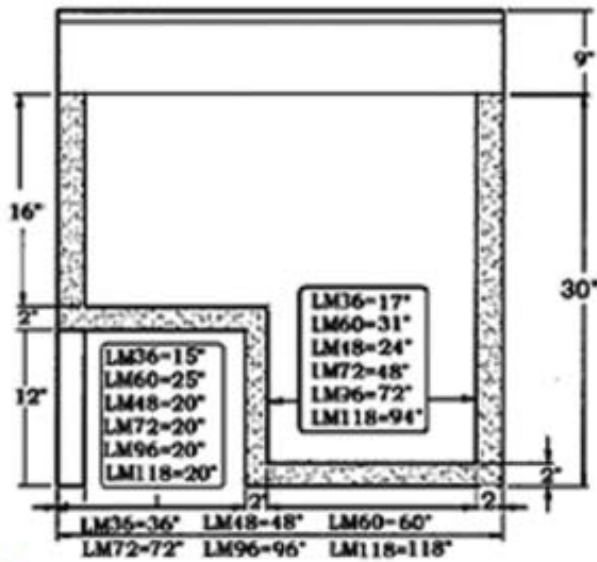
*ETL listed 

- *MEA City of New York Building Department Approved
- *REMOTE UNIT – NOT INCLUDING ANY COOLING SYSTEM ASSEMBLY PARTS. ONLY EVAPORATOR INCLUDED
- *These models are designed to operate in an environment where temperature & humidity do not exceed 75°F and 65% relative humidity.
- *Specifications Subject To Change Without Notice

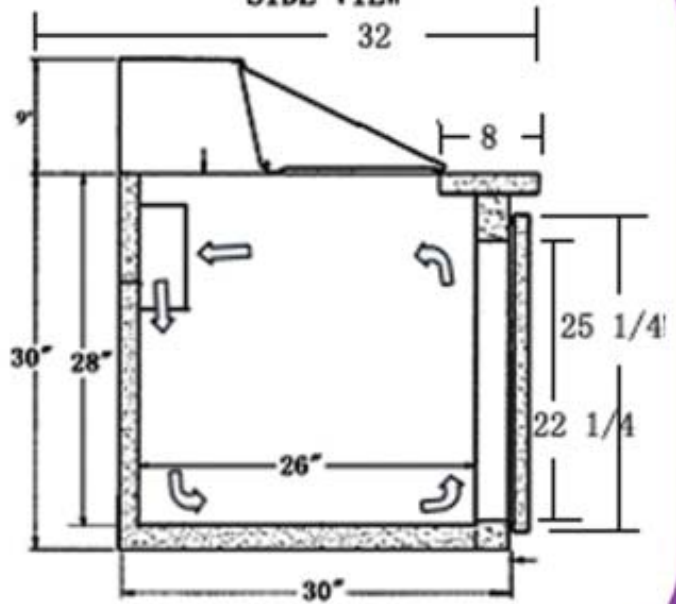
14

MODEL : LM

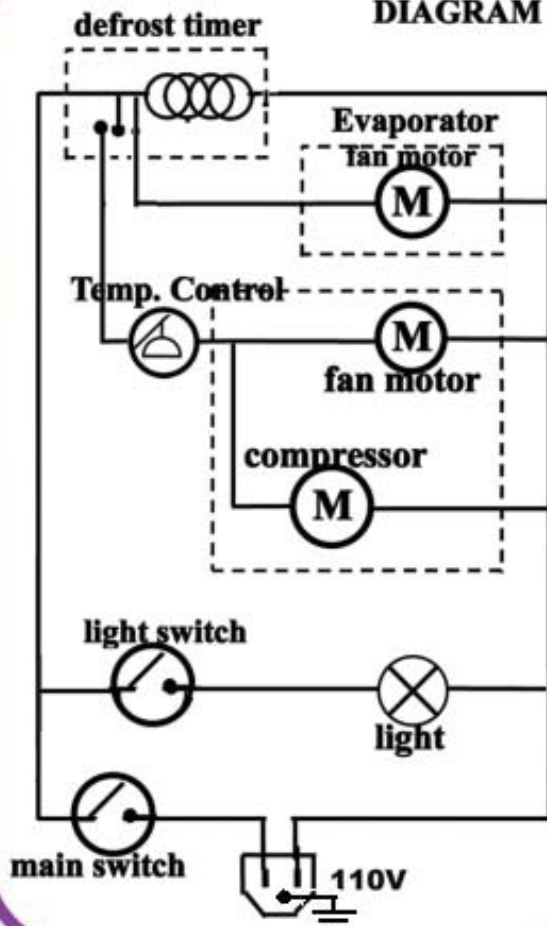
FRONT VIEW



SIDE VIEW



DIAGRAM



BEST QUALITY

BEST SERVICE

BEST VALUE

SINCE 1992