

# TILTING SKILLETS

**GAS-FIRED, MANUAL TILTING  
LEG MOUNTED  
MADE IN USA**

# CLASSIC MODEL TGSE

## STANDARD FEATURES



**Model TGSE-2440-9 shown with optional dual swing faucet & draw-off**

- ◆ 304 stainless seam welded pan with:
  - ◇ Center trunnion mounted
  - ◇ Self-locking worm gear tilt mechanism
  - ◇ Rotation exceeds 90°
  - ◇ 304 stainless clad cooking surface
  - ◇ Electronic direct spark ignition
  - ◇ 120V, single phase (1Ø) standard
- ◆ Adjustable thermostat (175°F to 400°F)
- ◆ High limit safety thermostat
- ◆ 304 stainless patented safety lid, seam welded with:
  - ◇ Actuator-assisted counterbalance
  - ◇ Full width condensate drip shield
  - ◇ Full width rear steam vent
  - ◇ Single side-mounted safety handle
- ◆ 304 stainless, reinforced, water resistant consoles
- ◆ 304 stainless tubular frame construction
- ◆ Knockdown capability to fit through 26" x 66" opening
- ◆ Adjustable bullet feet

Legion equipment is built to comply with applicable standards for manufacturers. Approval agencies may include ASME, NSF, UL, ETL, AGA, CSA, CGA, and others. Legion reserves the right of design improvement or modification as warranted. U.S. Patent No. 5,865,101.

MODELS AND CAPACITIES					OPTIONAL FEATURES AND ACCESSORIES	
Model	2.5" Pans or Cooking Baskets	Griddle Area (in. <sup>2</sup> )	Kettle (Gals.)	Oven Volume (ft. <sup>3</sup> )	See price list for supplemental information regarding options	
TGSE-2430-7	2	778	23	3.2	<input type="checkbox"/> Faucet bracket mounted on unit <input type="checkbox"/> Single or double fill faucet with bracket & 12 or 18" swing nozzle <input type="checkbox"/> 48" s/s flexible spray hose assembly (vinyl or stainless) for use with dual or single fill faucet <input type="checkbox"/> Automatic water filling meter <i>(Call for information regarding additional faucet options)</i> <input type="checkbox"/> Electric timer with buzzer <input type="checkbox"/> Casters (two each locking /non-locking type) & restraining devices <input type="checkbox"/> Flexible gas hose 1/2"x66" <input type="checkbox"/> Quick disconnect, gas 1/2" <input type="checkbox"/> Adjustable flanged feet <input type="checkbox"/> In wall carrier for wall mounting <input type="checkbox"/> Draw-off drain hose <input type="checkbox"/> #10 can holder for draw-off <input type="checkbox"/> Flat bottom scoop <input type="checkbox"/> Perforated or solid 12x20 food pans 2½, 4, or 6" deep	<input type="checkbox"/> Perforated cooking/steaming basket (11 x 20½ x 5) <input type="checkbox"/> Classic care kit <input type="checkbox"/> Pour lip pan holder assembly <input type="checkbox"/> Draw-off pan holder assembly <input type="checkbox"/> Pour lip strainer <input type="checkbox"/> Stationary side frame and tray  <b>Prison/Security Options:</b> <input type="checkbox"/> Fasteners ( <i>screws &amp; nuts</i> ) <input type="checkbox"/> Nut driver tool <input type="checkbox"/> Screw driver tool <input type="checkbox"/> Draw-off nut driver tool <input type="checkbox"/> Lockable lid <input type="checkbox"/> Lockable control cover
TGSE-2430-9	2	778	30	4.1		
TGSE-2430-11	2	778	37	5.0		
TGSE-2440-7	3	1029	31	4.2		
TGSE-2440-9	3	1029	40	5.4		
TGSE-2440-11	3	1029	49	6.6		
Select gas: <input type="checkbox"/> Natural or <input type="checkbox"/> Propane Select voltage (1Ø only): <input type="checkbox"/> 120V <input type="checkbox"/> 208V <input type="checkbox"/> 240V <i>(120V supplied with plug, 208 &amp; 240V connect directly to box)</i> Select draw-off valve: <input type="checkbox"/> 1½" <input type="checkbox"/> 2" <input type="checkbox"/> 3" with: <input type="checkbox"/> compression or <input type="checkbox"/> ball type fitting. <i>(see price list for other draw-off valve options)</i>					Revision 999	



**LEGION**® The Finest American Quality Since 1897

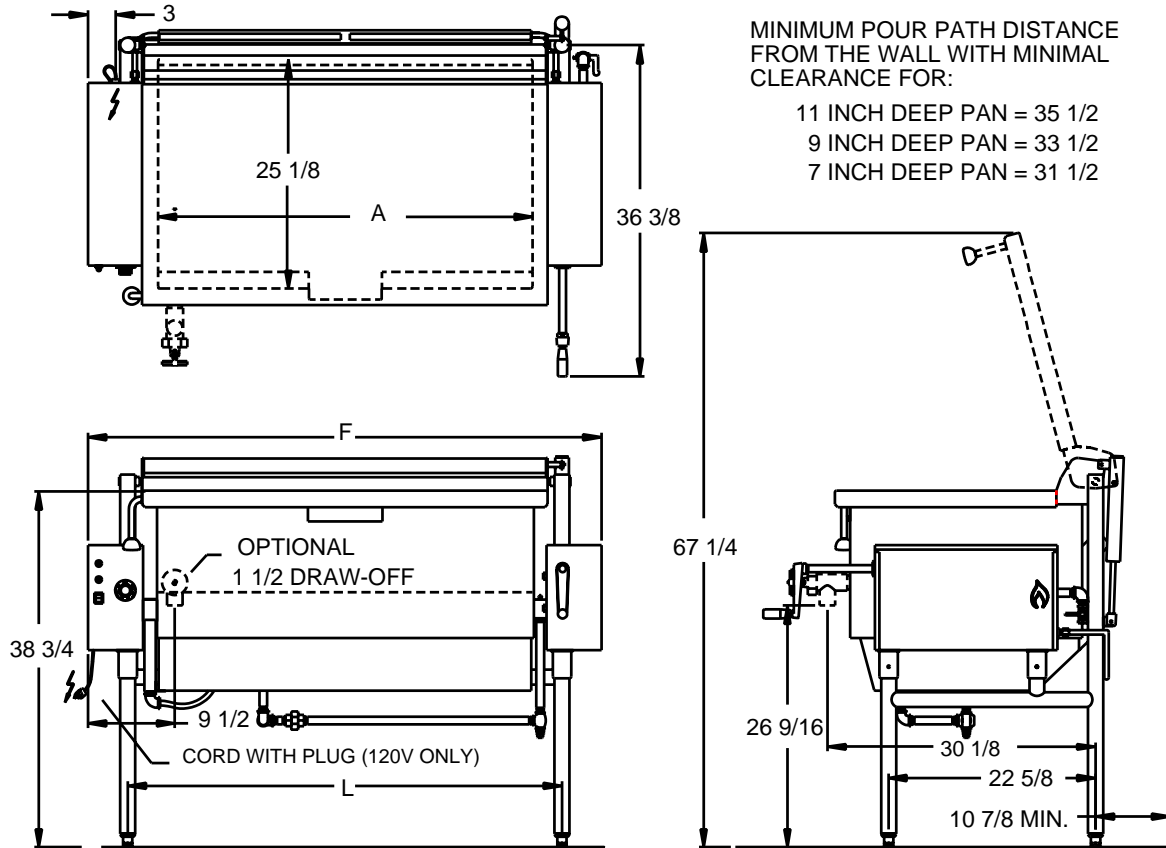
LEGION INDUSTRIES, INC. ♦ 69 MAIN ST. ♦ DALLAS, PA 18612 ♦ (800) 833-9803 ♦ (570) 675-1575 ♦ FAX: (570) 675-7551

# CLASSIC MODEL TGSE

GAS-FIRED, MANUAL TILTING  
LEG MOUNTED  
MADE IN USA

# TILTING SKILLETS

DRAWING REPRESENTS MODEL TGSE-2440-11 WITH OPTIONAL 1 1/2 DRAW-OFF



Note: Standard Electrical requirements are 120V, 1Ø, 1 amp

CLASSIC™ DIMENSIONS									
Model	Depth	A	F	L	Model	Depth	A	F	L
TGSE-2430-7	7	31.0	46.1	37.5	TGSE-2440-7	7	41.0	56.1	47.5
TGSE-2430-9	9	31.0	46.1	37.5	TGSE-2440-9	9	41.0	56.1	47.5
TGSE-2430-11	11	31.0	46.1	37.5	TGSE-2440-11	11	41.0	56.1	47.5

CLASSIC™ GAS SPECIFICATIONS				
Model	Gas Rating - Btu Input		Gas Pressure & Piping Specifications	
	Natural	Propane	Natural	Propane
TGSE-2430-( )	90,000	75,000	Piping - 1/2" IPS Inlet Pressure Range, 5.0-7.0" w.c. Outlet Pressure Setting, 3.5" w.c.	Piping - 1/2" IPS Inlet Pressure Range, 12.0 - 14.0" w.c. Outlet Pressure Setting, 10.0" w.c.
TGSE-2440-( )	120,000	100,000		

U.S. Patent No. 5,865,101

Revision 999



## LEGION

The Finest American Quality Since 1897

LEGION INDUSTRIES, INC. ♦ 69 MAIN ST. ♦ DALLAS, PA 18612 ♦ (800) 833-9803 ♦ (570) 675-1575 ♦ FAX: (570) 675-7551