

Single Portion Blixer®



Prepare liquidized food as well as chop, grind, puree, emulsify . . . all in one machine!

- 1 HP, 700 watts, 3000 rpm, pulse function
- Smaller capacity for processing individual portions.
- Prepare mixed liquid or semi-liquid foods, even tube feedings, easily by combining the best features of the food processor and blender/mixer.
- Comes standard with: 2.5 quart stock-pot shaped brushed stainless steel cutter bowl with handle, stainless steel serrated "S" blade, patented lid & bowl wiper assembly for faster processing.
- Leakproof, see-thru lid to view processing and if necessary, add ingredients without stopping or removing lid.
- Easily disassembled for cleaning.
- Long-lasting, reliable motors require minimum maintenance.
- 1 year warranty on parts and labor.

Blixers were developed to take the time consuming work out of preparing mixed liquid or semi-liquid foods. Blixers allow the same foods to be served to everyone allowing all patients to get the same nourishing nutrients. Recommended for use in healthcare facilities for preparing spoon feedings, semi-liquid feedings, and liquid feedings (for tube feedings); restaurants for preparing combo butter mixtures, sauces, salad dressings, mousses, and grinding herbs, seeds, lobster, scampi, etc



Robot Coupe U.S.A., Inc.
P.O. Box 16625
Jackson, MS 39236-6625
1-800-824-1646 • (601) 898-8411
FAX: (601) 898-9134
www.robotcoupeusa.com • e-mail: info@robotcoupeusa.

Specifications

STANDARD MODEL:

Includes motor base unit, 2.5 Qt. brushed stainless steel bowl with handle, stainless steel "S" blade, patented lid wiper assembly with handle.

ELECTRICAL REQUIREMENTS:

120V, 60HZ, single phase.

SAFETY: Magnetic safety protection, bowl detection and locking lid detection device.

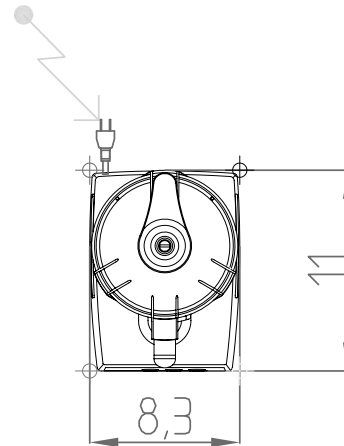
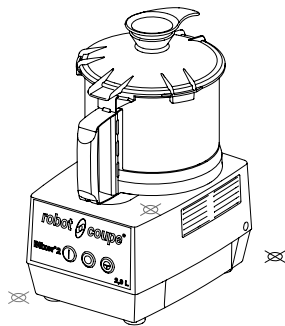
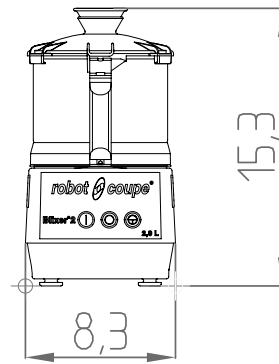
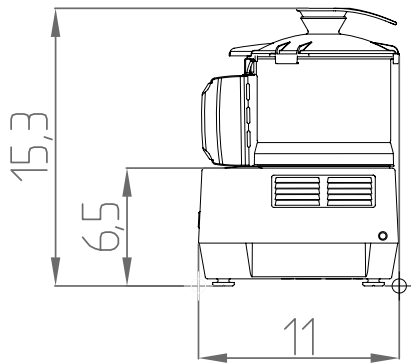
MOTOR:

1 HP, 3000 rpm, single phase

WEIGHT:

25 lbs Approx. Shipping Weight

STANDARDS: ETL electrical & sanitation, cETL (Canada)



Robot Coupe U.S.A., Inc.
P.O. Box 16625
Jackson, MS 39236-6625
1-800-824-1646
(601) 898-8411
FAX: (601) 898-9134
www.robotcoupeusa.com
e-mail: info@robotcoupeusa.com

Distributed by: