

Glass Door Freezers

Digitally Controlled Uniform Temperature



TGF-23F



TGF-49F



TGF-72F

FEATURES / BENEFITS

- DIGITAL TEMPERATURE CONTROL SYSTEM**
 Provides precise and constant temperature. This level of precision allows food products to remain fresh over an extended period of time.
- HIGH-TECH MONITOR**
 The unit will beep if the door has been opened for more than 5 minutes. The monitor digitally displays the present temperature and current status of the refrigerator. You can easily change the temperature by adjusting the thermostat.
- EFFICIENT REFRIGERATION SYSTEM**
 Turbo Air's freezers are designed with oversized and balanced (CFC Free R-404A) refrigeration systems. These include efficient evaporators and condensers for faster freezing and greater efficiency.
- AUTOMATIC EVAPORATOR FAN MOTOR DELAYS**
 Through stopping the evaporator fan when the freezer door opens, the circulation of hot, moist air into the freezer is prevented. This increases energy efficiency and lengthens the life of the compressor.
- TRIPLE PANE HEATED GLASS DOORS WITH HEAT REFLECTING FILM**
 Equipped with unique triple pane heated glass doors with a layer of patented, transparent thermal insulating film applied between the glass layers. Lightweight door construction reduces door maintenance and roller wear, and facilitates smooth door opening.
- ADJUSTABLE, HEAVY DUTY, PE (POLYETHYLENE) COATED WIRE SHELVES**
- HIGH-DENSITY POLYURETHANE INSULATION**
 The entire cabinet structure is formed-in-place using high density, CFC free polyurethane insulation.
- ERGONOMICALLY DESIGNED DOORS**
 Customers' fatigue fades away with easy grip handles and doors that open effortlessly. Self-closing and stay open doors features make this the ultimate choice in customer convenience.
- MAGNETIC DOOR GASKETS**
 Magnetic door gaskets are of one piece construction, removable without tools for ease of cleaning and replacement.
- BOTTOM MOUNT COMPRESSOR UNITS**
 Turbo Air's bottom mount compressor allows easier access for service and extra storage space above. In addition, the lower area provides a cooler and less greasy operating environment which results in reduced compressor running time.
- INDIVIDUAL TWO CYCLE FREEZING SYSTEMS (TGF-72F MODEL ONLY)**
- FREEZER HOLDS -15°F ~ 5°F FOR THE BEST IN FROZEN FOOD PRESERVATION**

Model	Swing Door	CU./FT.	#of Shelves	HP	AMPS	Crated Weight	L D H
TGF-23F	1	23	4	2/3	8.2	376	27 x 29 3/4 x 77
TGF-49F	2	49	8	1-1/2	11	587	54 3/8 x 29 3/4 x 77
TGF-72F	3	72	12	1-1/4x2	15	848	81 7/8 x 29 3/4 x 77

* Height does not include 6" for caster height. * Depth does not include 1-1/2" for glass door handles.

* TGF-49F, TGF-72F requires dual voltage 115/208 ~ 230V (NEMA L14 - 20)

TGF MODELS SPECIFICATIONS

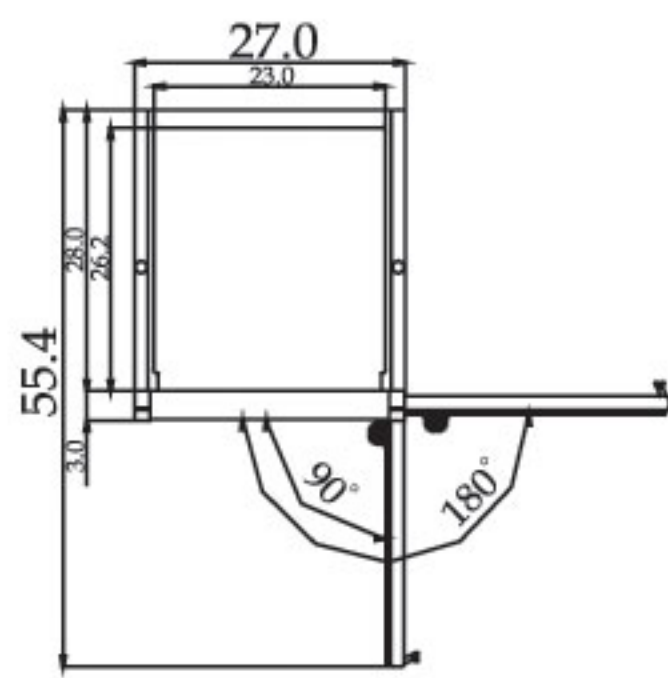
MODEL	TGF-23F	TGF-49F	TGF-72F
Exterior Dimension (LxDxH)	27x29 ³ / ₄ x77	54 ³ / ₈ x29 ³ / ₄ x77	81 ⁷ / ₈ x29 ³ / ₄ x77
Interior Dimension (LxDxH)	23x26 ¹ / ₄ x60 ³ / ₈	50 ¹ / ₂ x24 ³ / ₄ x60 ³ / ₈	78x24 ³ / ₈ x60 ³ / ₈
Cubic Feet	23	49	72
Compressor (HP)	2/3	1 1/2	1 1/4x2
Voltage (i) NEMA-5-15P (ii) NEMA-L14-20	(i)115/60/1	(ii)115/208~230/60/1	(ii)115/208~230/60/1
Amp	8.2A	11A	15A
Cord Length (ft)	7	7	7
Plug-in	NEMA 5-15p	NEMA L14-20	NEMA L14-20
# of Shelves	4 ea	8 ea	12 ea
Shelf Size	21 ³ / ₄ x22 ¹ / ₂	21 ³ / ₄ x22 ¹ / ₂	24 ³ / ₈ x23 ¹ / ₄
Net Weight	355 lbs	554 lbs	800 lbs

- WHITE COLOR CABINET & WHITE COLOR FRAME ON DOOR
- TRIPLE PANE HEATED GLASS DOOR
- FLOURESCENT LIGHTED INTERIOR DISPLAY FOR ADVERTISING EFFECT
- 4" SWIVEL CASTERS STANDARD

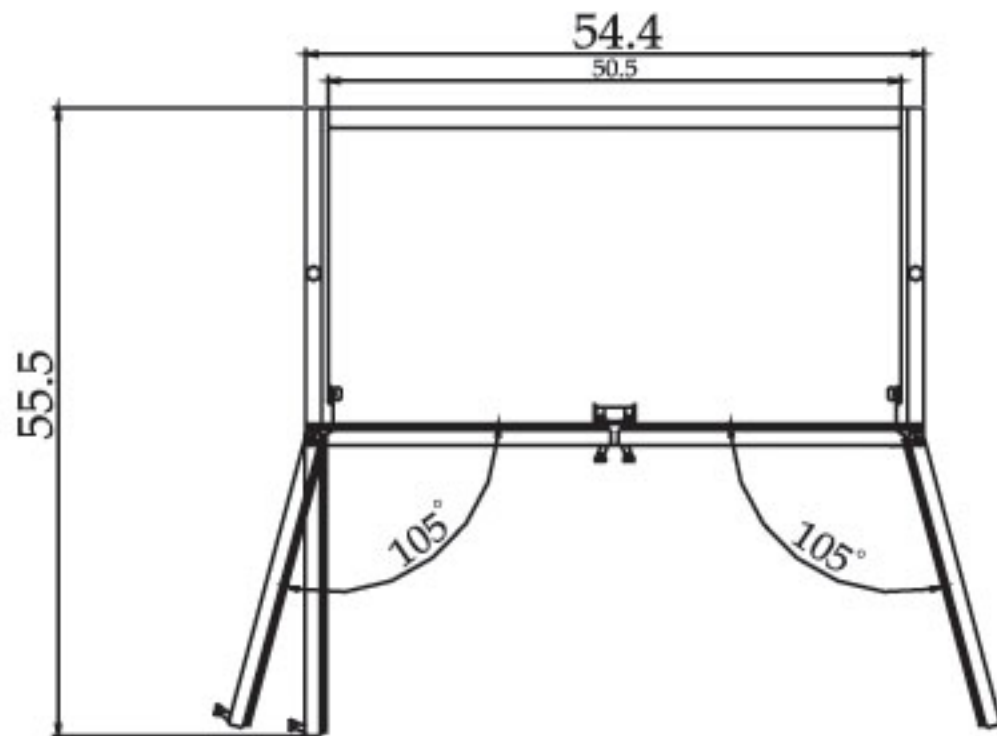
*Design and specifications subject to change without notice.

- **WARRANTY :** 1 Year Labor and Parts Warranty
Additional 4 Years Warranty on Compressor

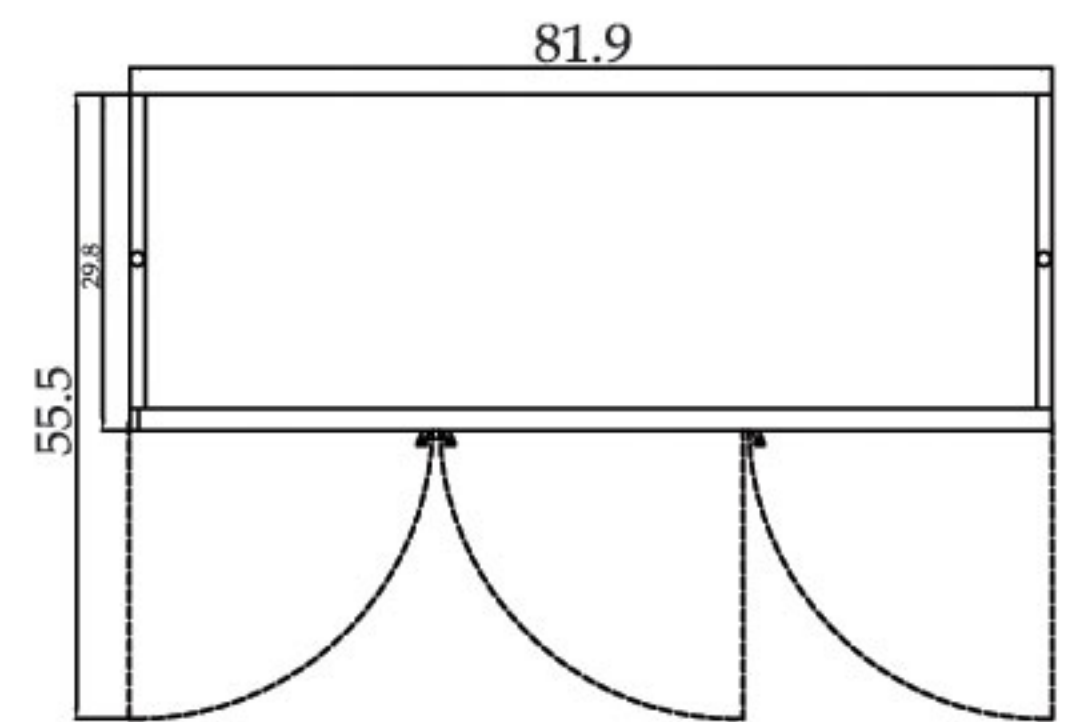
(unit : inch)



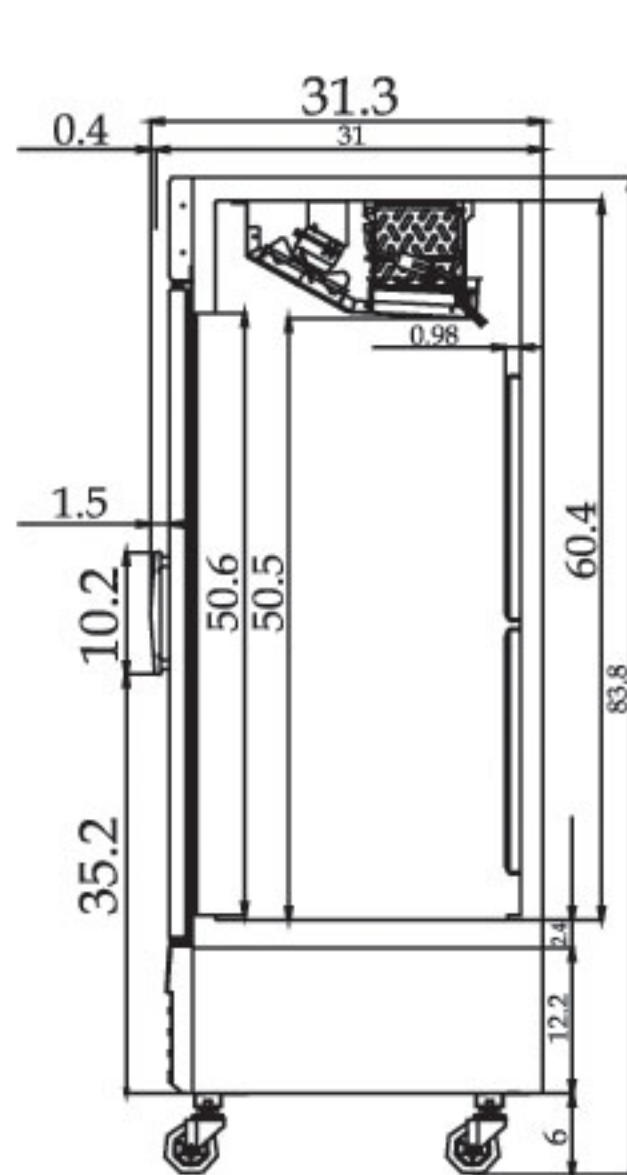
TGF-23F PLAN VIEW



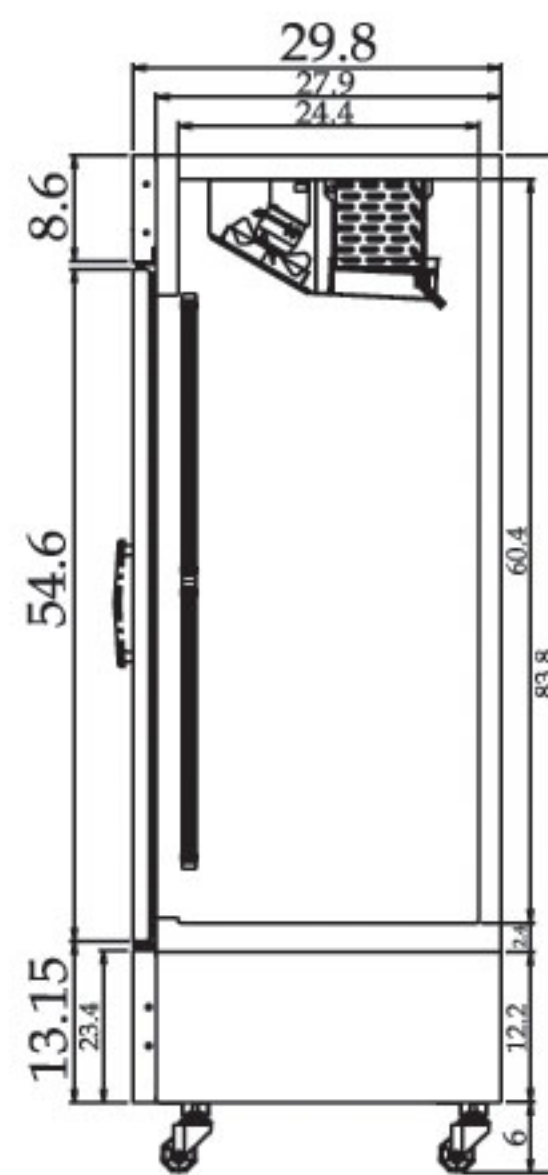
TGF-49F PLAN VIEW



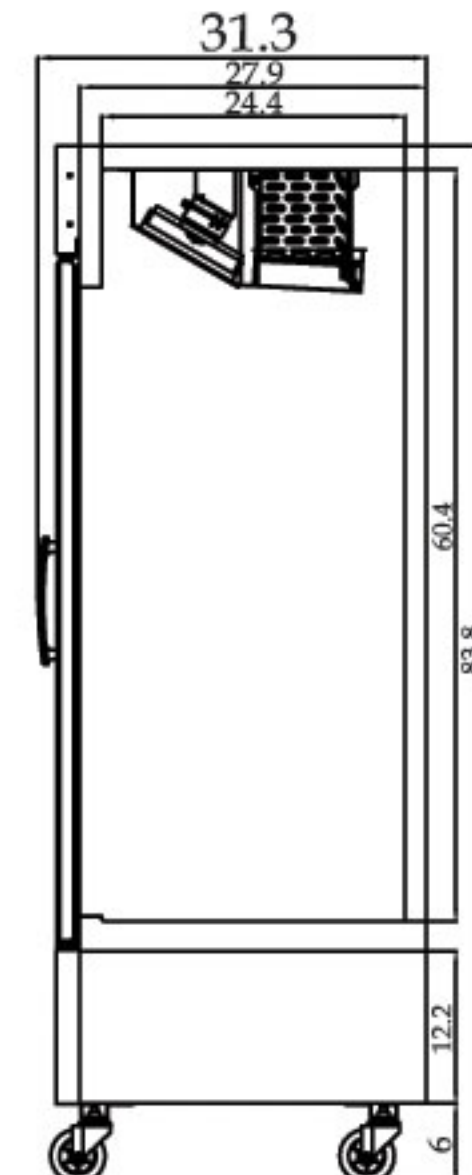
TGF-72F PLAN VIEW



TGF-23F SIDE VIEW



TGF-49F SIDE VIEW



TGF-72F SIDE VIEW