

# Open Display Merchandisers

Display Cases  
Open Display  
Merchandisers

**NEW**

## Horizontal Open Display Cases - Slim Line Top Display Dry Case Combination Models



### FEATURES / BENEFITS

- ENVIRONMENTAL FRIENDLY, EFFICIENT REFRIGERATION SYSTEM**  
 Turbo Air's refrigerators are designed with oversized and balanced environmental friendly R-134A (CFC Free) refrigeration. These include large evaporators and condensers for fast cooling and balanced temperature throughout the cabinet.
- ATTRACTIVE GLASS SIDED ELEGANT EURO DESIGN**  
 Glass front shield and side walls optimize the merchandiser's display effects of fresh salads, sandwiches, desserts and beverages. Its elegant contemporary euro design will enhance any store application.
- DESIGNED TO OPTIMIZE IMPULSE SALES**  
 Ideal for eye-catching displays and convenient access with fast service in high traffic area.
- NON-PEEL, DURABLE ANTI-RUST COATING ON THE EXTERIOR REDUCES FINGERPRINTS**
- TOP DISPLAY DRY CASES (TOMD-H) AVAILABLE IN ALL SIZES-OPTIONAL**
- 300 SERIES STAINLESS STEEL INTERIOR STANDARD INCLUDING BACK WALL, SHELVES AND DECK PANS**
- PERFORATED INTERIOR BACK WALL AND TOP FOR IMPROVED AIR FLOW**
- FRONT AIR INTAKE AND REAR AIR DISCHARGE**
- STANDARD BACKGUARD IMPROVES AIRFLOW**
- FOAMED WITH POLYURETHANE, HIGH-DENSITY CELL INSULATION (CFC FREE)**
- WHITE AND BLACK COLOR COME STANDARD**
- RECOMMENDED OPERATING CONDITIONS**  
 \* TOM Models are designed to operate in an environment where temperature & humidity do not exceed 75°F and 55% respectively.  
 \* Units should not be installed near HVAC vents, fans or doorways that will disrupt the air curtain and compromise the function of the cabinet  
 \* Air curtain models will run most efficiently when completely loaded with product.

| Model      | CU./FT. | #of Shelves | HP  | AMPS | Crated Weight | L D H                    |
|------------|---------|-------------|-----|------|---------------|--------------------------|
| TOM-30S(B) | 4.6     | 3           | 1/3 | 9    | 338           | 28 x 33 1/2 x 41 1/2     |
| TOM-40S(B) | 6.6     | 3           | 1/2 | 11   | 440           | 39 x 33 1/2 x 41 1/2     |
| TOM-50S(B) | 8.7     | 3           | 1/2 | 11   | 481           | 50 3/4 x 33 1/2 x 41 1/2 |
| TOM-60S(B) | 10.9    | 3           | 3/4 | 14.5 | 535           | 63 1/4 x 33 1/2 x 41 1/2 |
| TOM-75S(B) | 13.2    | 3           | 3/4 | 14.5 | 680           | 75 5/8 x 33 1/2 x 41 1/2 |
| TOMD-30-H  | 2.1     | 1           | N/A | N/A  | 31            | 28 x 12 1/4 x 17 3/4     |
| TOMD-40-H  | 3       | 1           | N/A | N/A  | 40            | 39 x 12 1/4 x 17 3/4     |
| TOMD-50-H  | 4       | 1           | N/A | N/A  | 49            | 50 3/4 x 12 1/4 x 17 3/4 |
| TOMD-60-H  | 5       | 1           | N/A | N/A  | 64            | 63 1/4 x 12 1/4 x 17 3/4 |
| TOMD-75-H  | 6.1     | 2           | N/A | N/A  | 71            | 75 5/8 x 12 1/4 x 17 3/4 |

# TOM-S/TOMD-H MODELS SPECIFICATIONS

| MODEL                      | TOM-30S(B)  | TOM-40S(B)  | TOM-50S(B)   | TOM-60S(B)   | TOM-75S(B)   |
|----------------------------|---|---|--|--|--|
| Exterior Dimension (LxDxH) | 28x33 <sup>1</sup> / <sub>2</sub> x41 <sup>1</sup> / <sub>2</sub>                             | 39x33 <sup>1</sup> / <sub>2</sub> x41 <sup>1</sup> / <sub>2</sub>                             | 50 <sup>3</sup> / <sub>4</sub> x33 <sup>1</sup> / <sub>2</sub> x41 <sup>1</sup> / <sub>2</sub> | 63 <sup>1</sup> / <sub>4</sub> x33 <sup>1</sup> / <sub>2</sub> x41 <sup>1</sup> / <sub>2</sub> | 75 <sup>5</sup> / <sub>8</sub> x33 <sup>1</sup> / <sub>2</sub> x41 <sup>1</sup> / <sub>2</sub> |
| Interior Dimension (LxDxH) | 25 <sup>1</sup> / <sub>2</sub> x24x13   | 36 <sup>5</sup> / <sub>8</sub> x24x13   | 48 <sup>3</sup> / <sub>8</sub> x24x13  | 60 <sup>3</sup> / <sub>4</sub> x24x13  | 73 <sup>1</sup> / <sub>2</sub> x24x13  |
| Compressor (HP)            | 1/3   | 1/2   | 1/2  | 3/4  | 3/4  |
| Voltage (i) NEMA-5-15P     | (i) 115/60/1  | (i) 115/60/1  | (i) 115/60/1   | (i) 115/60/1   | (i) 115/60/1   |
| AMP                        | 9A  | 11A   | 11A  | 14.5A  | 14.5A  |
| Plug-In                    | NEMA 5-15P  | NEMA 5-15P  | NEMA 5-15P   | NEMA 5-15P   | NEMA 5-15P   |
| #of Shelves                | 3 ea  | 3 ea  | 3 ea   | 3 ea   | 3 ea   |
| Shelf Size (Top)           | 25 <sup>1</sup> / <sub>2</sub> x7x2 <sup>1</sup> / <sub>2</sub>                               | 36 <sup>1</sup> / <sub>2</sub> x7x2 <sup>1</sup> / <sub>2</sub>                               | 48 <sup>1</sup> / <sub>4</sub> x14 <sup>1</sup> / <sub>8</sub> x3 <sup>1</sup> / <sub>4</sub>  | 60 <sup>3</sup> / <sub>4</sub> x14 <sup>1</sup> / <sub>8</sub> x3 <sup>1</sup> / <sub>4</sub>  | 73 <sup>1</sup> / <sub>8</sub> x14 <sup>1</sup> / <sub>8</sub> x3 <sup>1</sup> / <sub>4</sub>  |
| (Middle)                   | 25 <sup>1</sup> / <sub>2</sub> x14 <sup>1</sup> / <sub>8</sub> x3 <sup>1</sup> / <sub>4</sub> | 36 <sup>1</sup> / <sub>2</sub> x14 <sup>1</sup> / <sub>8</sub> x3 <sup>1</sup> / <sub>4</sub> | 48 <sup>1</sup> / <sub>4</sub> x14 <sup>1</sup> / <sub>8</sub> x3 <sup>1</sup> / <sub>4</sub>  | 60 <sup>3</sup> / <sub>4</sub> x14 <sup>1</sup> / <sub>8</sub> x3 <sup>1</sup> / <sub>4</sub>  | 73 <sup>1</sup> / <sub>8</sub> x14 <sup>1</sup> / <sub>8</sub> x3 <sup>1</sup> / <sub>4</sub>  |
| (Lower)                    | 25 <sup>1</sup> / <sub>2</sub> x9 <sup>3</sup> / <sub>4</sub> x3 <sup>1</sup> / <sub>4</sub>  | 36 <sup>1</sup> / <sub>2</sub> x14 <sup>1</sup> / <sub>8</sub> x3 <sup>1</sup> / <sub>4</sub> | 48 <sup>1</sup> / <sub>4</sub> x14 <sup>1</sup> / <sub>8</sub> x3 <sup>1</sup> / <sub>4</sub>  | 60 <sup>3</sup> / <sub>4</sub> x14 <sup>1</sup> / <sub>8</sub> x3 <sup>1</sup> / <sub>4</sub>  | 73 <sup>1</sup> / <sub>8</sub> x14 <sup>1</sup> / <sub>8</sub> x3 <sup>1</sup> / <sub>4</sub>  |
| Net Weight                 | 255 lbs   | 313 lbs   | 370 lbs  | 440 lbs  | 498 lbs  |

| MODEL                      | TOMD-30-H   | TOMD-40-H   | TOMD-50-H  | TOMD-60-H  | TOMD-75-H  |
|----------------------------|---|---|--|--|--|
| Exterior Dimension (LxDxH) | 28x12 <sup>1</sup> / <sub>4</sub> x17 <sup>3</sup> / <sub>4</sub>                             | 39x12 <sup>1</sup> / <sub>4</sub> x17 <sup>3</sup> / <sub>4</sub>                             | 50 <sup>3</sup> / <sub>4</sub> x12 <sup>1</sup> / <sub>4</sub> x17 <sup>3</sup> / <sub>4</sub> | 63 <sup>1</sup> / <sub>4</sub> x12 <sup>1</sup> / <sub>4</sub> x17 <sup>3</sup> / <sub>4</sub> | 75 <sup>5</sup> / <sub>8</sub> x12 <sup>1</sup> / <sub>4</sub> x17 <sup>3</sup> / <sub>4</sub> |
| Interior Dimension (LxDxH) | 25 <sup>1</sup> / <sub>2</sub> x9 <sup>1</sup> / <sub>8</sub> x15 <sup>7</sup> / <sub>8</sub> | 36 <sup>5</sup> / <sub>8</sub> x9 <sup>1</sup> / <sub>8</sub> x15 <sup>7</sup> / <sub>8</sub> | 48 <sup>3</sup> / <sub>8</sub> x9 <sup>1</sup> / <sub>8</sub> x15 <sup>7</sup> / <sub>8</sub>  | 60 <sup>3</sup> / <sub>4</sub> x9 <sup>1</sup> / <sub>8</sub> x15 <sup>7</sup> / <sub>8</sub>  | 73 <sup>1</sup> / <sub>4</sub> x9 <sup>1</sup> / <sub>8</sub> x15 <sup>7</sup> / <sub>8</sub>  |
| # of Shelves               | 1 ea  | 1 ea  | 1 ea   | 1 ea   | 2 ea   |
| Shelf Size                 | 25 <sup>1</sup> / <sub>2</sub> x7   | 36 <sup>1</sup> / <sub>2</sub> x7   | 48 <sup>1</sup> / <sub>4</sub> x7  | 60 <sup>3</sup> / <sub>4</sub> x7  | 36 <sup>1</sup> / <sub>2</sub> x7  |
| Net Weight                 | 31 lbs  | 40 lbs  | 49 lbs   | 64 lbs   | 71 lbs   |

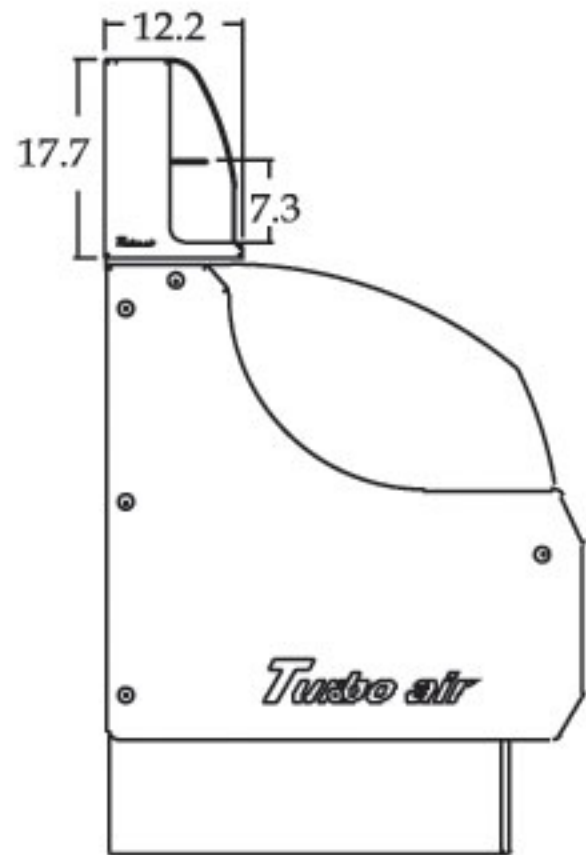
\*Design and specifications subject to change without notice.

■ **WARRANTY :** 1 Year Labor and Parts Warranty  
Additional 4 Years Warranty on Compressor

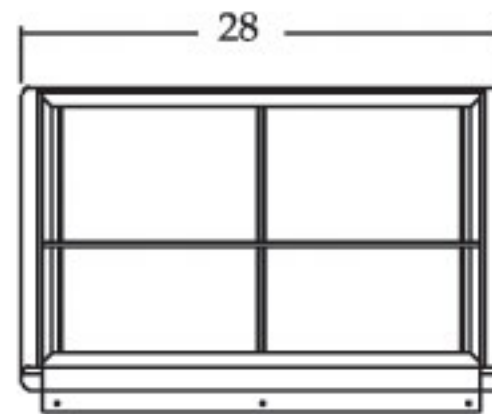
■ **SIMPLE PLUG - IN INSTALLATION**

■ **PATENTED SELF-CONTAINED SYSTEM  
NO PLUMBING REQUIRED**

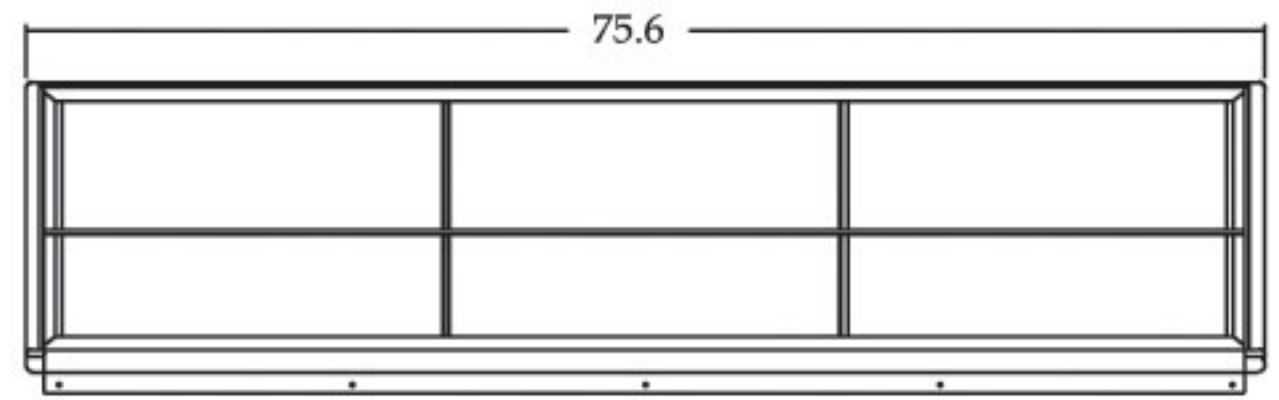
(unit : inch)



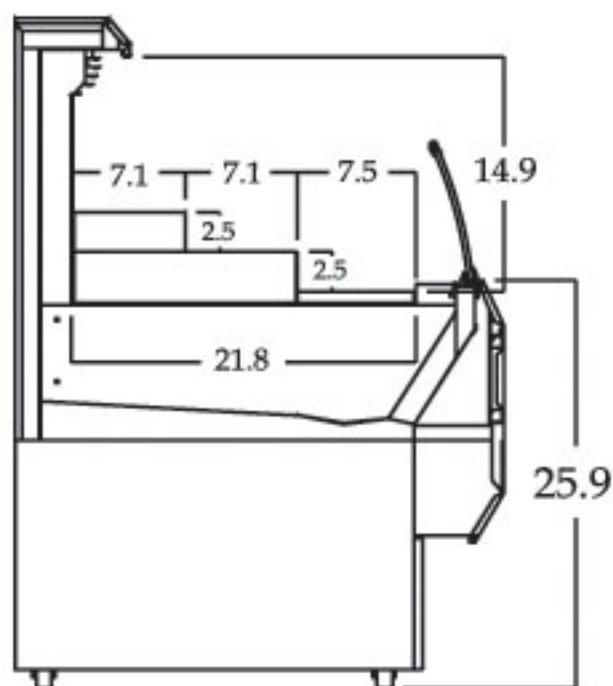
TOM-S COMBINATION WITH TOMD-H  
SIDE VIEW



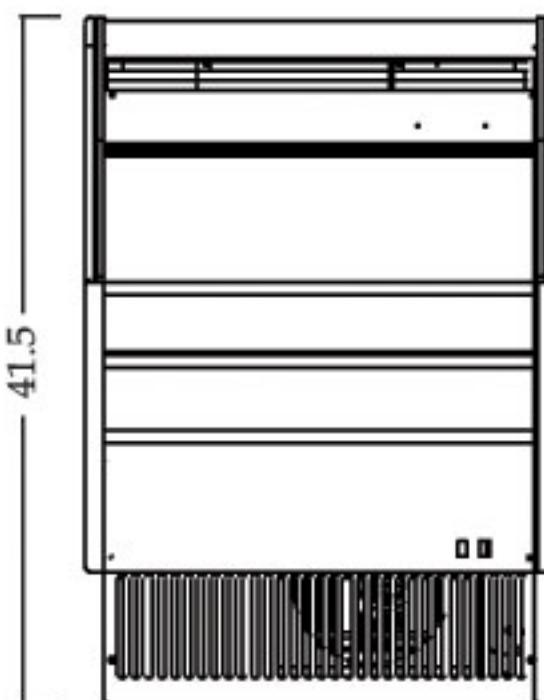
TOMD-30-H PLAN VIEW



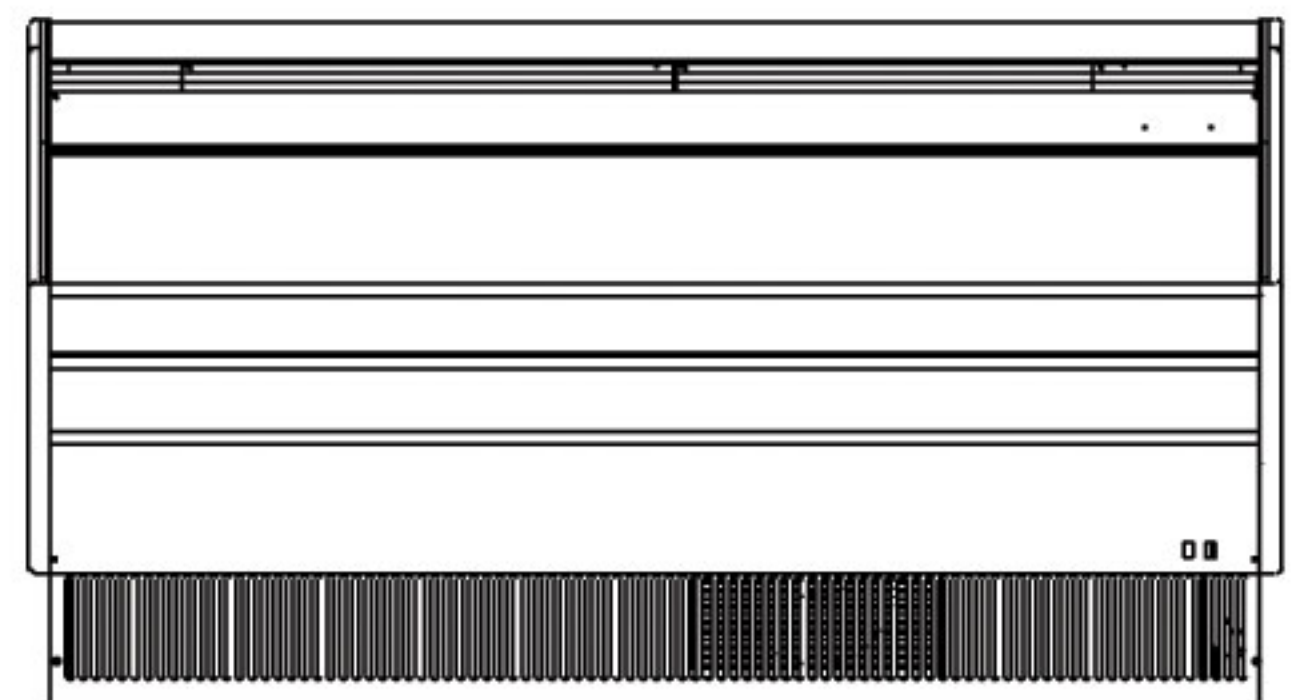
TOMD-75-H PLAN VIEW



TOM-S SIDE VIEW



TOM-30S FRONT VIEW



TOM-75S FRONT VIEW