



- |                                     |                                       |
|-------------------------------------|---------------------------------------|
| <input type="checkbox"/> PF72-4     | <input type="checkbox"/> BDPF72-4     |
| <input type="checkbox"/> PF72-6     | <input type="checkbox"/> BDPF72-6     |
| <input type="checkbox"/> PF72-8     | <input type="checkbox"/> BDPF72-8     |
| <input type="checkbox"/> PF72-10    | <input type="checkbox"/> BDPF72-10    |
| <input type="checkbox"/> PF72-12    | <input type="checkbox"/> BDPF72-12    |
| <input type="checkbox"/> PF72-EW    | <input type="checkbox"/> BDPF72-EW    |
| <input type="checkbox"/> PF72-IW    | <input type="checkbox"/> BDPF72-IW    |
| <input type="checkbox"/> PF72-Miter | <input type="checkbox"/> BDPF72-Miter |

Use BDPF model to match companion BMD or BSD model.  
Specify self contained (SC) or remote (R) when ordering

### APPLICATIONS

- Forced air refrigeration
- Medium temperature (36° - 38°F)
- Bottom deck with 4 painted metal shelves
- For refrigerated self-service packaged deli, packaged bakery, beverage, or produce items

ENGINEERED FOR STORES WITH AMBIENT CONDITIONS NOT TO EXCEED 75 DEGREES AND 50% RELATIVE HUMIDITY.  
DUE TO ENGINEERING IMPROVEMENTS SPECIFICATIONS MAY CHANGE WITHOUT NOTICE.

### STANDARD FEATURES

- Choice of depth  
PF model - 72" tall x 42" deep  
BDPF model - 72 tall x 44" deep
- Painted metal exterior and interior
- Stainless steel trim
- Painted metal outside back
- One row each of 10", 12", 14", and 18" painted metal shelves
- Top light
- Nose light - BDPF model only
- Solar digital thermometer
- Conforms to UL Standard 471, NSF Standard 7 and CAN/CSA C22.2

### Self-Contained

- Copeland compressor
- Electric condensate dissipater
- Automatic defrost
- Internally equalized expansion valve
- Back to front condenser airflow

### Remote

- Thermostat
- Liquid line solenoid and expansion valve

### OPTIONS

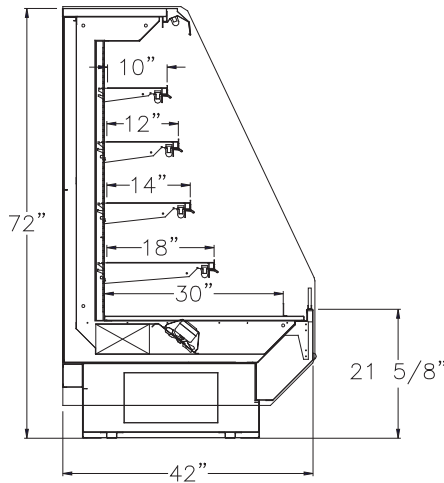
- Mirror polish stainless steel, thermal glass divider or glass ends
- Interior and exterior brass trim
- Exterior brass trim
- Exterior standard grade laminate
- Interior or exterior stainless steel
- Cart bumper
- Color accent band
- Swing rear load doors
- Sliding reflective rear load doors
- Lower bottom deck height
- Lockable polycarbonate night cover
- Additional painted metal or stainless steel shelves
- Under-shelf lights
- Promolux lamps
- LED lighting
- Alternative case thermometer
- Electronic temperature sensors
- Liquid line ball valve
- Suction line solenoid
- Energy efficient fans
- Optional air flow
- Extended compressor warranty



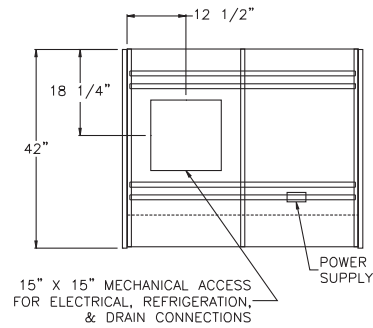
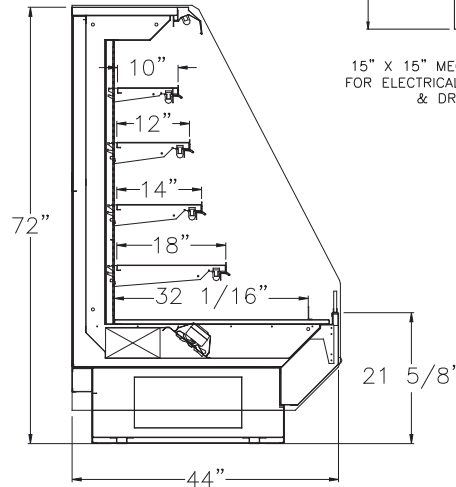
# Model Number: PF72-4, PF72-6, PF72-8, PF72-10, PF72-12, PF72-EW, PF72-IW, PF72-Miter, BDPF72-4, BDPF72-6, BDPF72-8, BDPF72-10, BDPF72-12, BDPF72-EW, BDPF72-IW, BDPF72-Miter

Consult factory for CAD Library

PF-72 Standard Case



BDPF-72 Standard Case



ENGINEERED FOR STORES WITH AMBIENT CONDITIONS NOT TO EXCEED 75 DEGREES AND 50% RELATIVE HUMIDITY. DUE TO ENGINEERING IMPROVEMENTS SPECIFICATIONS MAY CHANGE WITHOUT NOTICE.

Remote Case Data - Electrical 120 Volt						
Model	BTU lin/ft	Evap Temp	Defrost Setting	Evap Fans	Top Lights	Top & Shelf Lts
<b>PF-72 SERIES</b>						
PF4-72	1500	+18°	20/4hr.	0.86	0.49	0.95
PF6-72	1500	+18°	20/4hr.	1.29	0.49	1.44
PF8-72	1500	+18°	20/4hr.	1.72	0.49	1.8
PF10-72	1500	+18°	20/4hr.	2.15	0.75	2.85
PF12-72	1500	+18°	20/4hr.	2.58	0.75	2.85

Additional Loads for Self-Contained Units					
HP	Voltage	404A RLA/LRA	134A RLA/LRA	Cond Fan	Pan Heater
3/4	120-1-60	10.3/60	13/66	1.7	8.3
1 1/2	120-208-1-60	6.2/40	NA	0.85	4.8
2	120-208-1-60	9.6/55	NA	1.7	7.2
Please contact factory for self-contained information					
Please contact factory for self-contained information					

DRY CASES - USE LIGHTING SPECIFICATIONS FROM REMOTE CASE DATA

REMOTE CASES - 20 MINUTES DEFROST EVERY 4 HOURS

## Dimensions Without Ends Add 1" for each end to overall width of case

Model	W x D x H
PF72-4	49 1/8 X 42 X 72
PF72-6	72 7/8 X 42 X 72
PF72-8	96 3/4 X 42 X 72
PF72-10	120 1/2 X 42 X 72
PF72-12	144 3/8 X 42 X 72
PF72-EW	90° Exterior wedge
PF72-IW	90° Interior wedge
PF72-Miter	Specify up to 22 1/2°

## Dimensions Without Ends Add 1" for each end to overall width of case

Model	W x D x H
BDPF72-4	49 1/8 X 44 X 72
BDPF72-6	72 7/8 X 44 X 72
BDPF72-8	96 3/4 X 44 X 72
BDPF72-10	120 1/2 X 44 X 72
BDPF72-12	144 3/8 X 44 X 72
BDPF72-EW	90° Exterior wedge
BDPF72-IW	90° Interior wedge
BDPF72-Miter	Specify up to 22 1/2°

## Ship Weights (approximate)

PF72-4R	733	PF72-4SC	893
PF72-6R	933	PF72-6SC	1158
PF72-8R	1133	PF72-8SC	1193
PF72-10R	1255	PF72-10SC	1333
PF72-12R	1368	PF72-12SC	1533

Conforms to UL Standard 471 and NSF Standard 7 and CAN/CSA C22.2