

# Pizza Prep Tables

Food Prep Tables-Pizza Prep  
Super Deluxe Series

Exceptional Quality **2 Years Parts and Labor Warranty**



**TPR-44SD**



**TPR-67SD**



**TPR-93SD**

## FEATURES / BENEFITS

### EFFICIENT REFRIGERATION SYSTEM

Turbo Air's solid door refrigerators are designed with oversized and balanced (CFC Free R-134A) refrigeration systems. These include efficient evaporators and condensers for faster cooling and greater efficiency.

### EXCELLENT COOLING SYSTEM

The powerful forced-air refrigeration system maintains the storage cabinet at a constant temperature. The evaporator fan and a newly designed stainless steel louver allow uniform distribution of cold air over the food pans and throughout the unit to keep food temperature within the NSF standard 7 requirements.

### STAINLESS STEEL CABINET CONSTRUCTION

The Turbo Air Super Deluxe model boasts a stainless steel interior and exterior. It guarantees the utmost in cleanliness and long product life. ABS sheet door liners resist water condensation with thermal efficiency. The Super Deluxe can add a touch of style to the most refined setting.

### HIGH-DENSITY POLYURETHANE INSULATION

The entire cabinet structure and solid doors are formed-in-place using high density, CFC free polyurethane insulation.

### STURDY, CLEAN STAINLESS SHELVING

Shelves are the most important part of cleanliness as they come in direct contact with food. After a while, PVC coated wire shelves may peel, rust and lead to unsanitary conditions. Only the Turbo Air Super Deluxe series uniquely provides stainless shelving.

### ERGONOMICALLY DESIGNED DOORS

Customers' fatigue fades away with easy grip handles and doors that open effortlessly. These features self-closing doors make this the ultimate choice in quality and customer convenience.

### MAGNETIC DOOR GASKETS

Magnetic door gaskets are of one piece construction, removable without tools for ease of cleaning and replacement.

### EXTRA DEEP CUTTING BOARD

Our cutting board is 19-1/2" deep to provide ample working space, and is made of easy to sanitize polyurethane. The new side rail cutting board bracket makes it easy to secure and remove the cutting board and it accepts different sizes too (max. 1/2" thickness)

### SIDE MOUNT COMPRESSOR UNIT

Through positioning the compressor to the side, the refrigerator can be serviced without being moved. By innovatively creating a **front breathing** feature, this model can provide high efficiency in narrow spaces.

### REFRIGERATOR HOLDS 33°F ~ 41°F FOR THE BEST IN FOOD PRESERVATION

## \* Insulated Pan Cover

Model	Swing Door	CU./FT.	#of Pans	#of Shelves	HP	AMPS	Crated Weight	L D H
TPR-44SD	1	14	6	2	1/3	6.6	302	44 x 32 1/4 x 36
TPR-67SD	2	20	9	4	2/3	10.4	411	67 x 32 1/4 x 36
TPR-93SD	3	31	12	6	2/3	11	577	93 3/8 x 32 1/4 x 36

\* Height does not include 6" for caster height. \* Depth does not include 3" for cutting boards.

# TPR MODELS SPECIFICATIONS

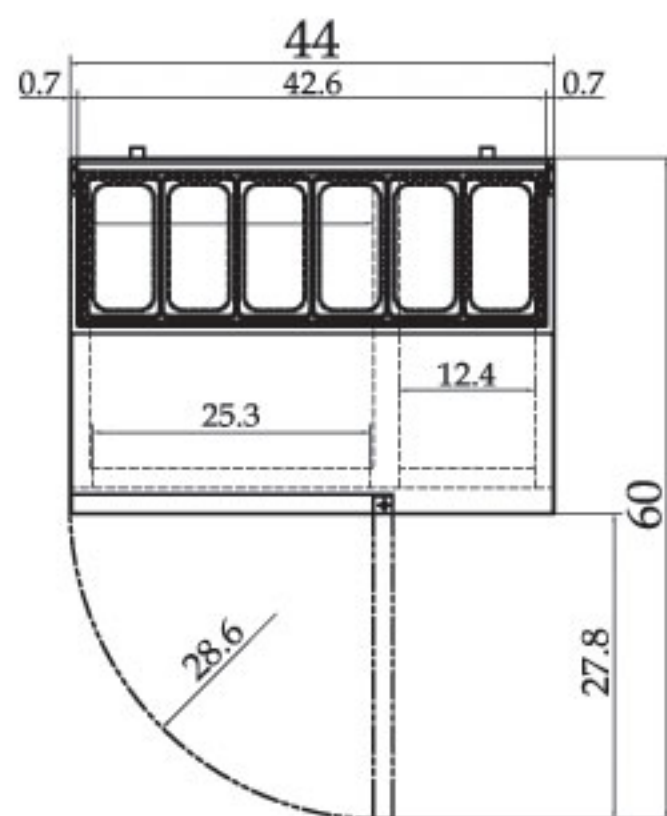
MODEL	TPR-44SD	TPR-67SD	TPR-93SD
Exterior Dimension (LxDxH)	44x32 1/4x36	67x32 1/4x36	93 3/8x32 1/4x36
Cubic Feet	14	20	31
Compressor (HP)	1/3	2/3	2/3
# of Shelves	2 ea	4 ea	6 ea
Net Weight	222 lbs	355 lbs	536 lbs
Voltage Ⓢ NEMA-5-15P	Ⓢ115/60/1	Ⓢ115/60/1	Ⓢ115/60/1
Amp	6.6 A	10.4 A	11A
Cord Length (ft.)	6	8	8
Plug-In	NEMA 5-15P	NEMA 5-15P	NEMA 5-15P
# of Pans	6 ea	9 ea	12 ea

\*Design and specifications subject to change without notice.

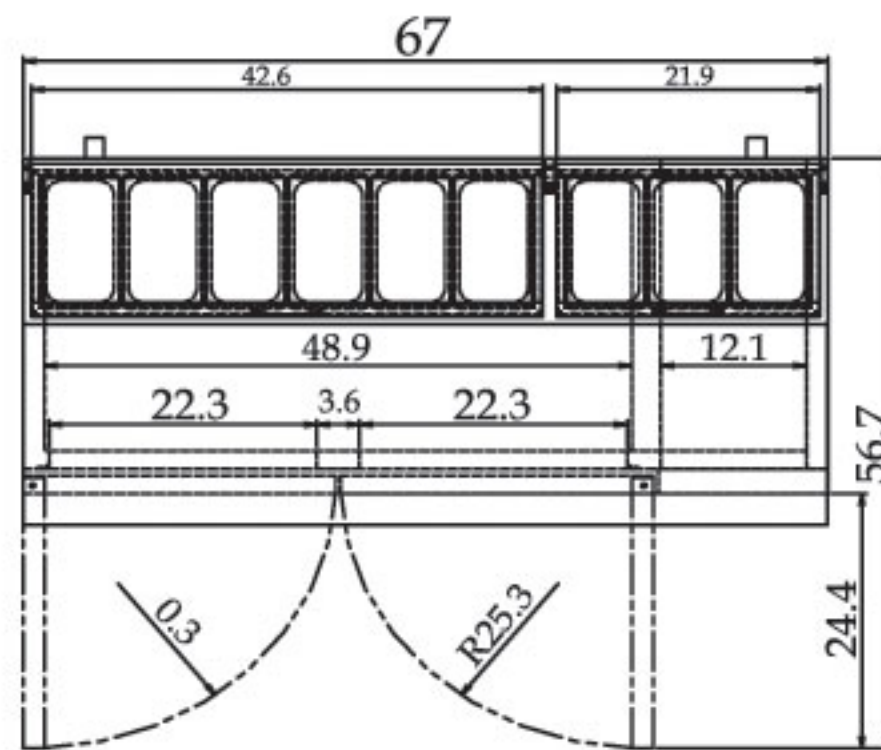
- **SELF-CONTAINED SYSTEM**
- **5" SWIVEL CASTERS**
- **2.5" CASTERS AVAILABLE FOR ALL MODELS (OPTIONAL)**
- **LEGS AVAILABLE FOR ALL MODELS (OPTIONAL)**
- **STANDARD 1/3 SIZE, 6" DEEP CONDIMENT PANS INCLUDED**
- **REMOTE CABINETS AND CONDENSING UNITS AVAILABLE FOR ALL MODELS.**

- **WARRANTY : 2 Years Labor and Parts Warranty  
Additional 3 Years Warranty on Compressor**

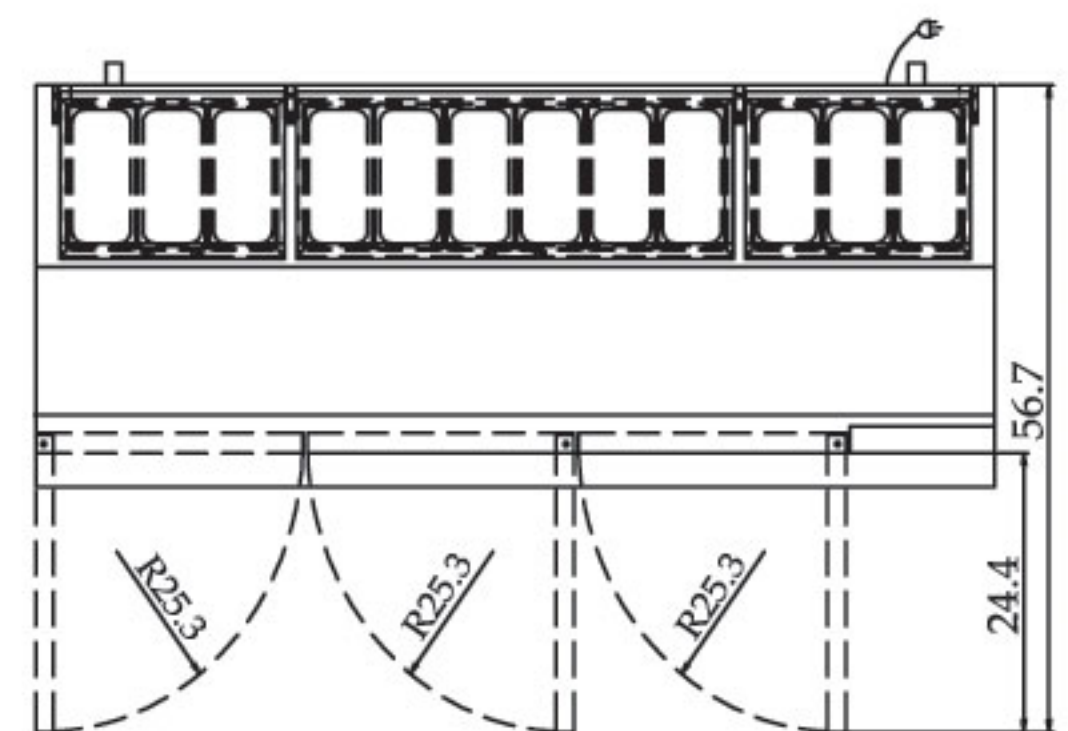
(unit : inch)



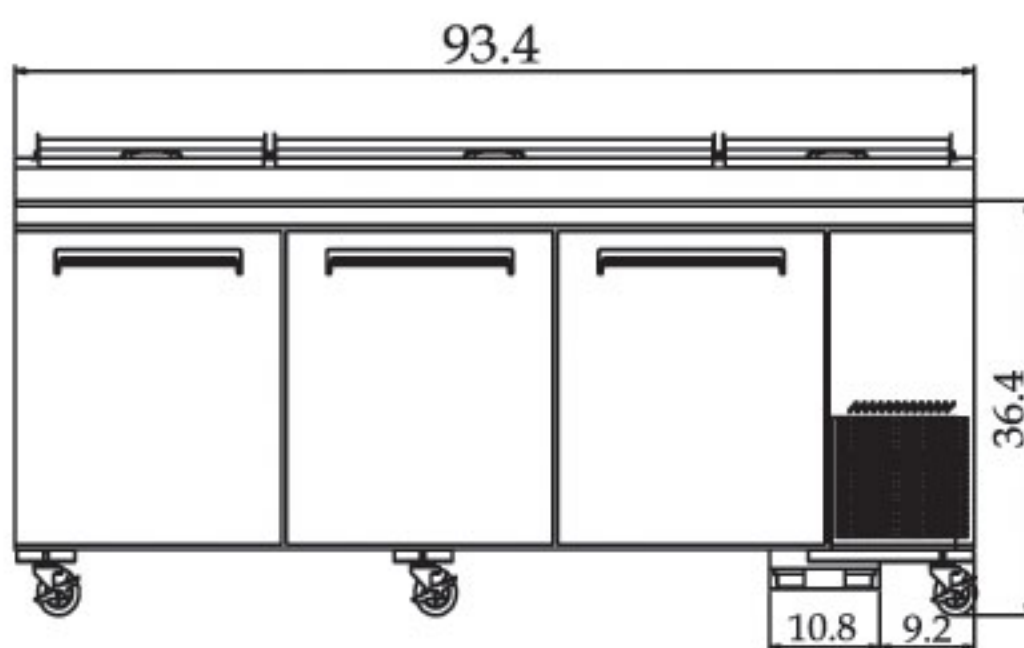
TPR-44SD PLAN VIEW



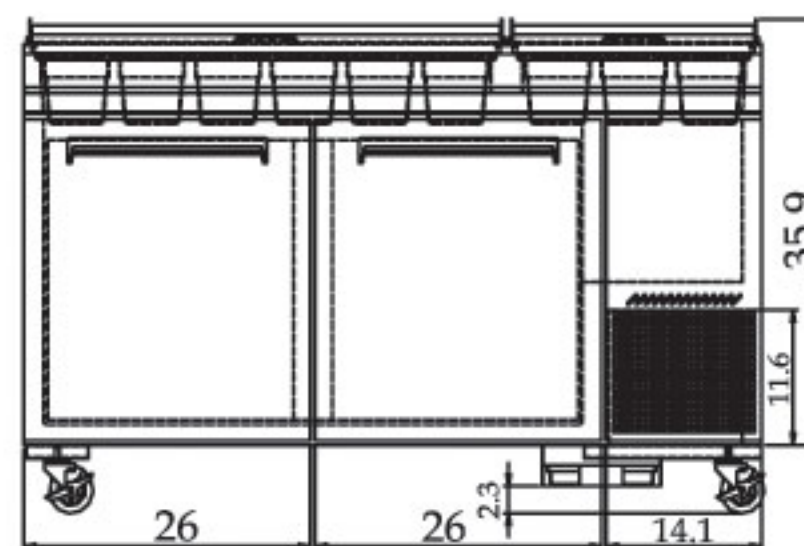
TPR-67SD PLAN VIEW



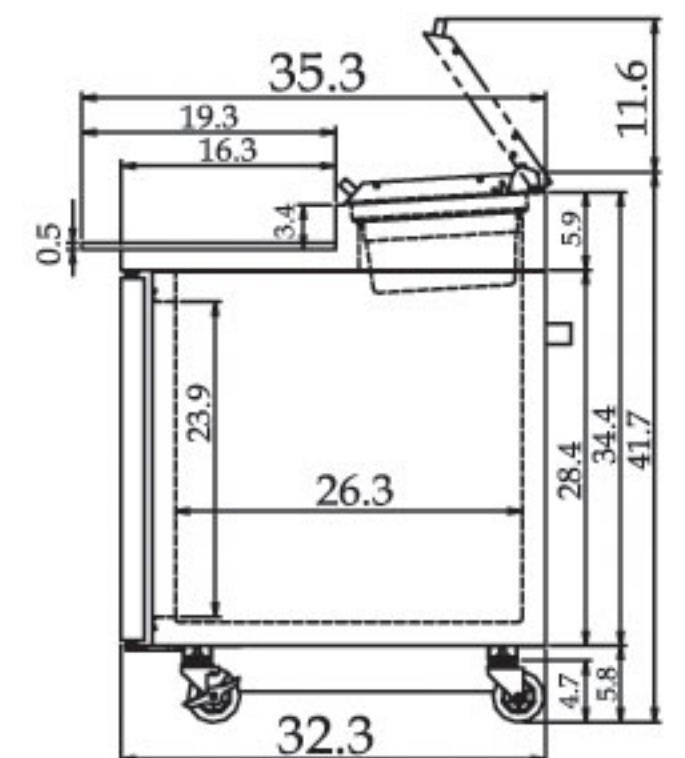
TPR-93SD PLAN VIEW



TPR-93SD FRONT VIEW



TPR-67SD FRONT VIEW



SIDE VIEW