

T-49-2-G-2 Solid/Glass Door Reach-In Refrigerator

FEATURES/BENEFITS

APPLICATION

True's T-Series is the most popular upright reach-in in America. The T-49-2-G-2 is uniquely versatile in its ability to compartmentalize refrigerated product. Top positioned glass doors provide a quick visual for instant, product access and can be used to feature attractive selections. Recessed handled lower doors add functionality and convenience.

OVERSIZED, ENVIRONMENTALLY FRIENDLY (134A) REFRIGERATION SYSTEM

Extra large evaporator coil balanced with higher horsepower compressor and large condenser. Fast pull-down to maintain 33°F to 38°F temperatures with minimum compressor run time.

BOTTOM MOUNT COMPRESSOR

Positioned to save service time. Compressor runs in coolest and most grease-free area of kitchen. Bottom shelf higher for "no-stoop" access. Allows for storage on top of reach-in.

300 SERIES STAINLESS STEEL SOLID HALF DOORS

The industry's premier stainless steel offers a higher tensile strength which means fewer dents and scratches. The attractive, rust-free 300 series stainless finish is incomparable in its bright, smooth, enduring quality.

TRIPLE PANE THERMAL INSULATED GLASS ON GLASS DOORS

Thermal glass provides maximum insulation value for greater efficiency and energy savings. Also minimizes condensation on glass and prevents condensation build-up. Exterior pane is tempered for safety.

.040 ANODIZED QUALITY ALUMINUM ENDS

Sturdy, solid construction. High gloss, clear coat surface, resistant to fingerprints and easy to clean. Blends attractively with stainless front.

EXTERIOR MOUNTED TEMPERATURE MONITOR

Visible and easy to read. Standard feature.

- **INTERIOR - NSF APPROVED, WHITE VINYL COATED ALUMINUM SIDES AND TOP, COVED CORNERS AND 300 SERIES STAINLESS STEEL FLOOR**
Non-rust, peel or chip. Easy to clean. Bright sanitary appearance. Meets all NSF standards.

- **ADJUSTABLE VINYL COATED WIRE SHELVES**
Durable, heavy-duty, 10 mil thick, pure grade vinyl coating.

- **FLOUORESCENT INTERIOR LIGHTING**
Safety shielded, assures longer brighter, shadow-free product illumination.

- **4" (11 cm) DIAMETER CASTORS STANDARD EQUIPMENT**
Strong and durable, meets all NSF standards. Legs available.

- **FOAMED-IN-PLACE POLYURETHANE HIGH DENSITY CELL INSULATION (CFC FREE)**
Unsurpassed insulation, extra dense, has highest R factor on the market. Saves energy.

- **POSITIVE SEAL SELF-CLOSING DOORS**
Factory tested (over 1,000,000 times) lifetime guaranteed door hinges and torsion type closure system.

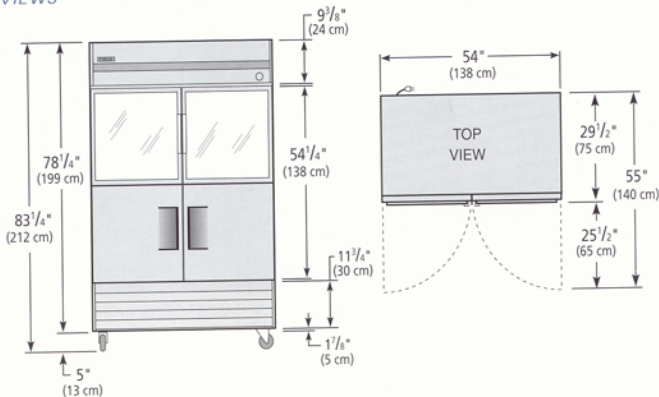
- **RECESSED HANDLE ON SOLID DOORS**
True's lifetime guaranteed recessed door handle enhances this popular line aesthetically and is workflow friendly.

- **DOOR LOCKS STANDARD**
Assures security.

- **SELF-CONTAINED SYSTEM**
No plumbing required. Simple installation. Equipped with 9 foot (2.7 m) cord.

- **REMOTE CABINETS AVAILABLE** (condensing units supplied by others)

PLAN VIEWS



WARRANTY

One year warranty on all parts & labor and an additional 4 year warranty on compressor. (U.S.A. only)

METRIC DIMENSIONS ROUNDED UP TO THE NEAREST WHOLE CENTIMETER

SPECIFICATIONS SUBJECT TO CHANGE WITHOUT NOTICE

MADE IN U.S.A.

