



Item # _____

Job _____



Holding/Proofing Cabinets — Uninsulated C175 Flavorview™ Series

Metro® HOLDING/PROOFING CABINETS — UNINSULATED C175 Flavorview™ Series

Choose Proofing, Holding or Combination Models:

Proofing:

- PM2X675 proofing module provides humidity and heat needed for yeast products (breads, rolls, donuts, etc.) to rise.

Holding:

- HM2000 holding module circulates heated air inside the cabinet to keep prepared food hot until it is served.

Combination:

- CM2000 combination proofing/holding module changes from proofing to holding or vice versa at the flick of a switch. Adjust temperature and humidity individually. In proofing mode, one heating element below the water pan and one in the air stream are activated.
- **All Models Feature:** Blower-forced air circulation assures uniform temperature and humidity throughout the cabinet. Wide, shallow chimney equalizes air circulation and saves space. Included water pan can be used to provide some humidity so food does not dry out.
- **See-Through Door:** The see-through door has a strong magnetic latch that keeps the door closed even in transport and has a pull handle for easy one-handed opening by right- or left-handed operators. Door hinges have nylon bushings for smooth, quiet operation and long reliable life. Door is field reversible.
- **Easy to Clean:** Slide racks, heat module, and chimney can be removed easily without tools for thorough cleaning. Model 4 racks come in two pairs to fit in pot sinks. Doors can also be removed for easier access to interior.
- **Easily Accessible Controls:** All controls are on the outside, so they can be adjusted without opening the door and disturbing the atmosphere inside the cabinet. The control panel is angled for easy viewing and recessed to protect controls.
- **Conserve Energy:** The door has a tough, clear polycarbonate window that permits viewing contents without opening the cabinet. Door is fully gasketed, preventing heat loss through leakage.
- **Digital Thermometer:** Mounted in the unit with the sensing bulb stationary inside the cabinet for more consistent readings during frequent cabinet opening.
- **Accommodates Various Tray Sizes:** Three slide options — 1½" (38mm), 3" (76mm), and variable — permit cabinets to accommodate various tray sizes. (See specifications on back.) Model 4 and "V" racks — with 3" (76mm) spacing — also adjust laterally to take both 18" (457mm) and 20" (508mm) width trays and pans.



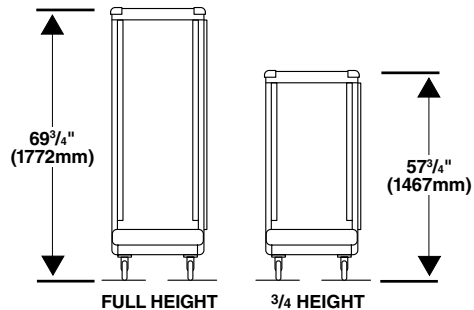
C175-CVN
(Shown with optional corner bumpers)
CM2000 Module



HM2000 Module
(Shown with optional corner bumpers)



PM2X675 Module
(Shown with optional corner bumpers)



- **Drip Trough:** Drip trough and removable pan contain condensation, preventing wet floor conditions.
- **Available in Full and ¾ Height Models** to accommodate a variety of applications.
- **2.6 Qt. Stainless Steel Water Pan** collects condensation.



InterMetro Industries Corporation
North Washington Street
Wilkes-Barre, PA 18705
www.metro.com



13-14

Job _____

HOLDING/PROOFING CABINETS — UNINSULATED

C175 Flavorview™ Series



Specifications

- **Material:** .063" (1.8mm) high-strength, natural-finish aluminum with brushed exterior surfaces, .125" (3.2mm) chassis.
- **Top and Bottom:** Brake-formed from flat sheet into box-shaped section.
- **Sides and Back:** Brake-formed from flat sheet with smooth, unobstructed interior walls for complete air circulation.
- **Door:** Extruded aluminum frame with full-length clear polycarbonate window swings 180 degrees; double hinged with nylon bearings; high pull-strength magnetic latch with mechanical release, continuous gasket. Door is field reversible.
- **Tray Slide Racks:**
 - Model 4** — Nickel-chrome plated wire rack; 3" (76mm) slide spacing.
 - Model 8** — Custom-designed aluminum extrusions with 1" x 1/2" x 1/8" (25 x 38 x 3mm) angle uprights and 1 1/2" x 1/2" x .063" (38 x 12 x 1.8mm) channel slides.
 - Model V** — Custom-designed aluminum extrusions with 1" x 1/2" x 1/8" (25 x 38 x 3mm) angle uprights and 3" x 4 1/4" x .100" (76 x 121 x 2.5mm) extruded vari-slides adjustable on 1 1/2" (38mm) centers. 3" (76mm) minimum spacing. All slide racks remove for thorough cleaning.
- **Casters:** Two B5DN on back — 5" (127mm) double ball bearing swivel, ball bearing axle, nickel-plated, donut neoprene-tired, prelubricated, bolted through chassis. Two B5DNB on front — same as above, with wheel brake.

- **Electrical:**
 - PM2X675 Proofing Module** — 1350 watt, 120 VAC, 12 amp, 60 cycle, separate adjustable temperature and humidity thermostats with separate indicator lights. Cabinet operating range is 80°-120°F (27°-49°C) under normal room temperature conditions. 72" (1829mm), 3-wire lead cord with NEMA 5-15P plug.
 - HM2000 Holding Module** — 1990 watt, 120 VAC, 16 amp, 60 cycle, controlled by an adjustable thermostat with indicator light. Cabinet operating range is 80°-180°F (27°-82°C) under normal room temperature conditions. 90" (2286mm), 3-wire lead cord with NEMA 5-20P plug.
 - CM2000 Combination Proofing/Holding Module** — 1990 watt, 120 VAC, 16 amp, 60 cycle. Proof mode has separate adjustable temperature and humidity thermostats with separate indicator lights. Heat mode has adjustable thermostat with indicator light. Cabinet operating range is 80°-120°F (27°-49°C) in proof mode and 80°-180°F (27°-82°C) in holding mode under normal room temperature conditions. 90" (2286mm), 3-wire lead cord with NEMA 5-20P plug.
 - All Modules** — Water pan; continuous blower; perforated air duct at back; master switch and "Power On" light. Unit may be removed without tools. UL, CUL, and NSF listed.

Dimensions

Cat. No.	Description	(A) Height (in.) (mm)	(B) Width (in.) (mm)	(C) Length (in.) (mm)	(D) Inside Height (in.) (mm)
C175- Full Height		69 3/4 1772	25 3/16 640	32 1/16 814	53 3/4 1365
C175-T- 3/4 Height		57 3/4 1467	25 3/16 640	32 1/16 814	41 3/4 1060

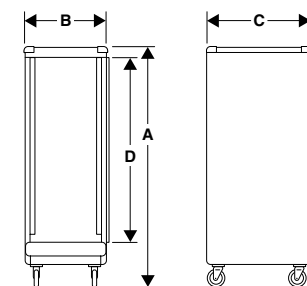
Weights

Cat. No.	Cat. No.	Cat. No.	Approx. Pkd. Wt. (lbs.) (kg)	
C175-P8N	C175-H8N	C175-C8N	185	84
C175-P4N	C175-H4N	C175-C4N	196	89
C175-PVN	C175-HVN	C175-CVN	215	98
C175-T-P8N	C175-T-H8N	C175-T-C8N	169	77
C175-T-P4N	C175-T-H4N	C175-T-C4N	181	82
C175-T-PVN	C175-T-HVN	C175-T-CVN	196	89

Accessories

Model	Description
**B	Corner Bumper
*VS4N	Extra Vari-slides (for C175-HVN only; will take 5 extra pair max.)

*Standard on units listed above. May be added to previously purchased units.
**Add bumper suffix to cabinet part number (i.e. C175-C8N-B).



Pan Capacities

Cat. No.	Slide Spacing (in.) (mm)	No. Full Height	No. 3/4 Height	Pan Size (in.)
"8N" Models	1 1/2 38	35	28	18x26
"4N" Models	3 76	17	13	20x24x2 1/4 (max.)
		14	13	20x24x2 5/8 (max.)
		34	26	12x20x2 1/4
		28	26	12x20x2 5/8
		17	13	18x26
"VN" Models	Adjustable Min. 3 76	11*	9*	15x20x4 1/8
		22*	18*	10 7/8x19 3/4x4 1/8 (max.)
		11*	9*	18x26x4 1/8 (max.)
		22*	18*	11 1/8x20x4 1/8 (max.)
		11*	9*	20x20x4 1/8 (max.)
		22*	18*	12x18x4 1/8 (max.)
		11*	9*	20x22x4 1/8 (max.)
		22*	18*	12x20x4 1/8 (max.)
		11*	9*	20x24x4 1/8 (max.)
		22*	18*	13x18x4 1/8 (max.)
22*	18*	14x18x4 1/8 (max.)		

*Based on 4 1/2" (114mm) spacing.

All Metro Catalog Sheets are available on our Web Site: www.metro.com



InterMetro Industries Corporation
North Washington Street, Wilkes-Barre, PA 18705
Phone: 570-825-2741 • Fax: 570-825-2852
For Product Information Call: 1-800-433-2232

L02-067
Printed in U.S.A. 4/02
Information and specifications are subject to change without notice. Please confirm at time of order.
Copyright © 2002 InterMetro Industries Corp.