

SPECIFICATIONS of JP-24/F

PERFORMANCE/CAPABILITIES

OPERATING CAPACITY (RACKS/HOUR)

RACKS PER HOUR	30
DISHES PER HOUR	600
GLASSES PER HOUR	600

OPERATING CYCLE (SECONDS)

WASH TIME	82
DRAIN TIME	28
RINSE TIME	10
TOTAL CYCLE TIME (MINUTES)	2

5 MINUTE TIMER OPERATING CYCLE (SECONDS)

WASH TIME	262
DRAIN TIME	28
RINSE TIME	10
TOTAL CYCLE TIME (MINUTES)	5

TANK CAPACITY (GALLONS)

WASH TANK	5.65
-----------	------

WASH PUMP CAPACITY

GALLONS PER MINUTE	60
--------------------	----

TEMPERATURES

WASH---°F (MINIMUM)	150
RINSE---°F	180-195

ELECTRICAL REQUIREMENTS

WASH PUMP MOTOR HORSEPOWER	3/4
----------------------------	-----

NOTE: Typical Electrical Circuit is based upon (1) 125% of the full amperage load of the machine and (2) typical fixed-trip circuit breaker sizes as listed in the NEC 2002 Edition. Local codes may require more stringent protection than what is displayed here. Always verify with your electrical service contractor that your circuit protection is adequate and meets all applicable national and local codes. These numbers are provided in this manual simply for reference and may change without notice at any given time.

<u>VOLTS</u>	<u>PH</u>	<u>HZ</u>	<u>RINSE HEATER RATINGS</u>	<u>TOTAL AMPS</u>	<u>TYPICAL ELECTRICAL CIRCUIT</u>
208	1	60	900KW	10	15 AMP
230	1	60	1100KW	10	15 AMP

WATER REQUIREMENTS

INLET TEMPERATURE	180°F
GALLONS PER HOUR	52.3
WATER LINE SIZE I.P.S. (Minimum)	1/2"
DRAIN LINE SIZE I.P.S. (Minimum)	1 1/2"
FLOW PRESSURE P.S.I.	20±5
FLOW, GALLONS PER MINUTE	7.1

FRAME DIMENSIONS

HEIGHT, MINIMUM	33 1/4"
HEIGHT, MAXIMUM	34 1/4"
WIDTH	24 1/4"
DEPTH	22 5/8"
MAXIMUM INSIDE CLEARANCE HEIGHT	14 1/2"
MAXIMUM INSIDE CLEARANCE WIDTH	20 1/4"
MAXIMUM INSIDE CLEARANCE DEPTH	21 1/4"
DOOR OPEN DEPTH	39 1/2"
CLEARANCE, WALL TO MACHINE	2 1/2"

NOTE: Always refer to the machine data plate for specific electrical and water requirements. The material provided on this page is for reference only and may be subject to change without notice.

SPECIFICATIONS of JP-24B/BF

PERFORMANCE/CAPABILITIES

OPERATING CAPACITY (RACKS/HOUR)

RACKS PER HOUR	30
DISHES PER HOUR	600
GLASSES PER HOUR	600

OPERATING CYCLE (SECONDS)

WASH TIME	82
DRAIN TIME	28
RINSE TIME	10
TOTAL CYCLE TIME (MINUTES)	2

5 MINUTE TIMER OPERATING CYCLE (SECONDS)

WASH TIME	262
DRAIN TIME	28
RINSE TIME	10
TOTAL CYCLE TIME (MINUTES)	5

TANK CAPACITY (GALLONS)

WASH TANK	5.65
RINSE TANK	3

WASH PUMP CAPACITY

GALLONS PER MINUTE	60
--------------------	----

TEMPERATURES

WASH---°F (MINIMUM)	150
RINSE---°F	180-195

ELECTRICAL REQUIREMENTS

WASH PUMP MOTOR HORSEPOWER 3/4

NOTE: Typical Electrical Circuit is based upon (1) 125% of the full amperage load of the machine and (2) typical fixed-trip circuit breaker sizes as listed in the NEC 2002 Edition. Local codes may require more stringent protection than what is displayed here. Always verify with your electrical service contractor that your circuit protection is adequate and meets all applicable national and local codes. These numbers are provided in this manual simply for reference and may change without notice at any given time.

<u>VOLTS</u>	<u>PH</u>	<u>HZ</u>	<u>RINSE HEATER RATINGS</u>	<u>TOTAL AMPS</u>	<u>TYPICAL ELECTRICAL CIRCUIT</u>
208	1	60	6.7KW	39	50 AMP
230	1	60	8.2KW	46	60 AMP
208	1	60	8.2KW	42	60 AMP
230	1	60	10KW	50	70 AMP
460	1	60	480/8.2KW	11	15 AMP
460	1	60	480/9.6KW	14	20 AMP

WATER REQUIREMENTS

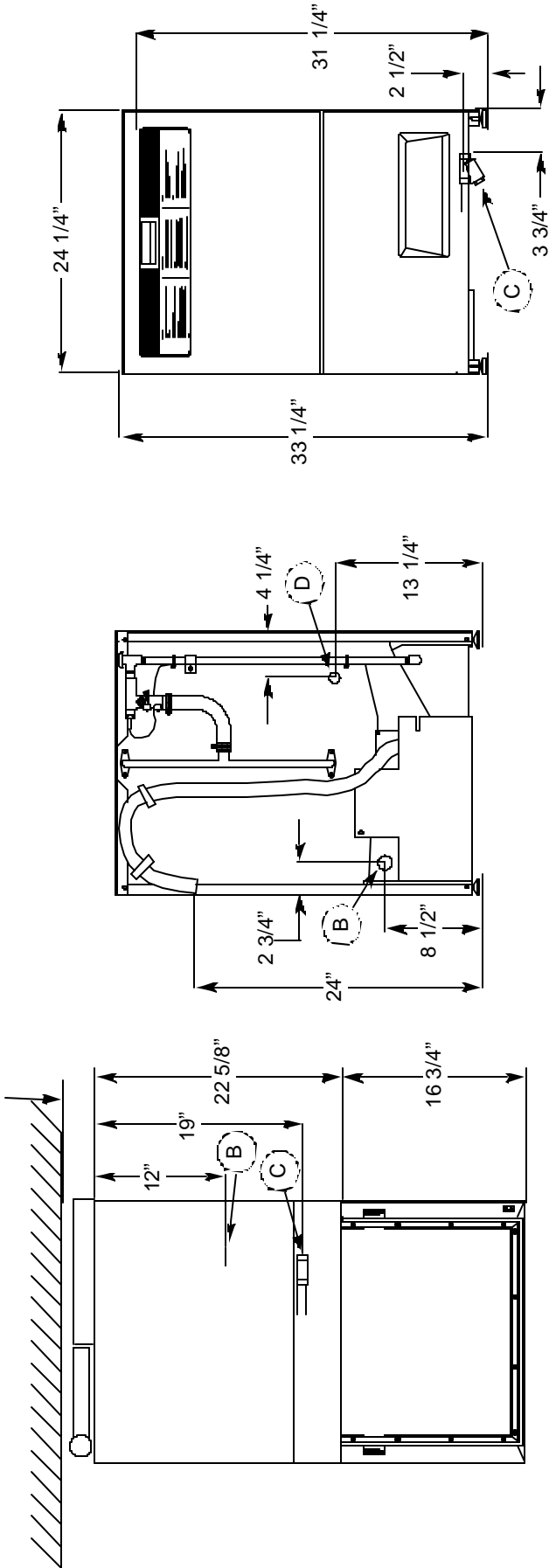
INLET TEMPERATURE (40° Booster Heater)	140°F
INLET TEMPERATURE (70° Booster Heater)	110°F
GALLONS PER HOUR	52.3
WATER LINE SIZE I.P.S. (Minimum)	1/2"
DRAIN LINE SIZE I.P.S. (Minimum)	1 1/2"
FLOW PRESSURE P.S.I.	20± 5
FLOW, GALLONS PER MINUTE	7.1

FRAME DIMENSIONS

HEIGHT, MINIMUM	33 1/4"
HEIGHT, MAXIMUM	34 1/4"
WIDTH	24 1/4"
DEPTH	22 5/8"
MAXIMUM INSIDE CLEARANCE HEIGHT	14 1/2"
MAXIMUM INSIDE CLEARANCE WIDTH	20 1/4"
MAXIMUM INSIDE CLEARANCE DEPTH	21 1/4"
DOOR OPEN DEPTH	39 1/2"
CLEARANCE, WALL TO MACHINE	2 1/2"

NOTE: Always refer to the machine data plate for specific electrical and water requirements. The material provided on this page is for reference only and may be subject to change without notice.

JP-24 SERIES DIMENSIONS



Note: All dimensions from floor can be increased 1" with adjustable feet supplied.

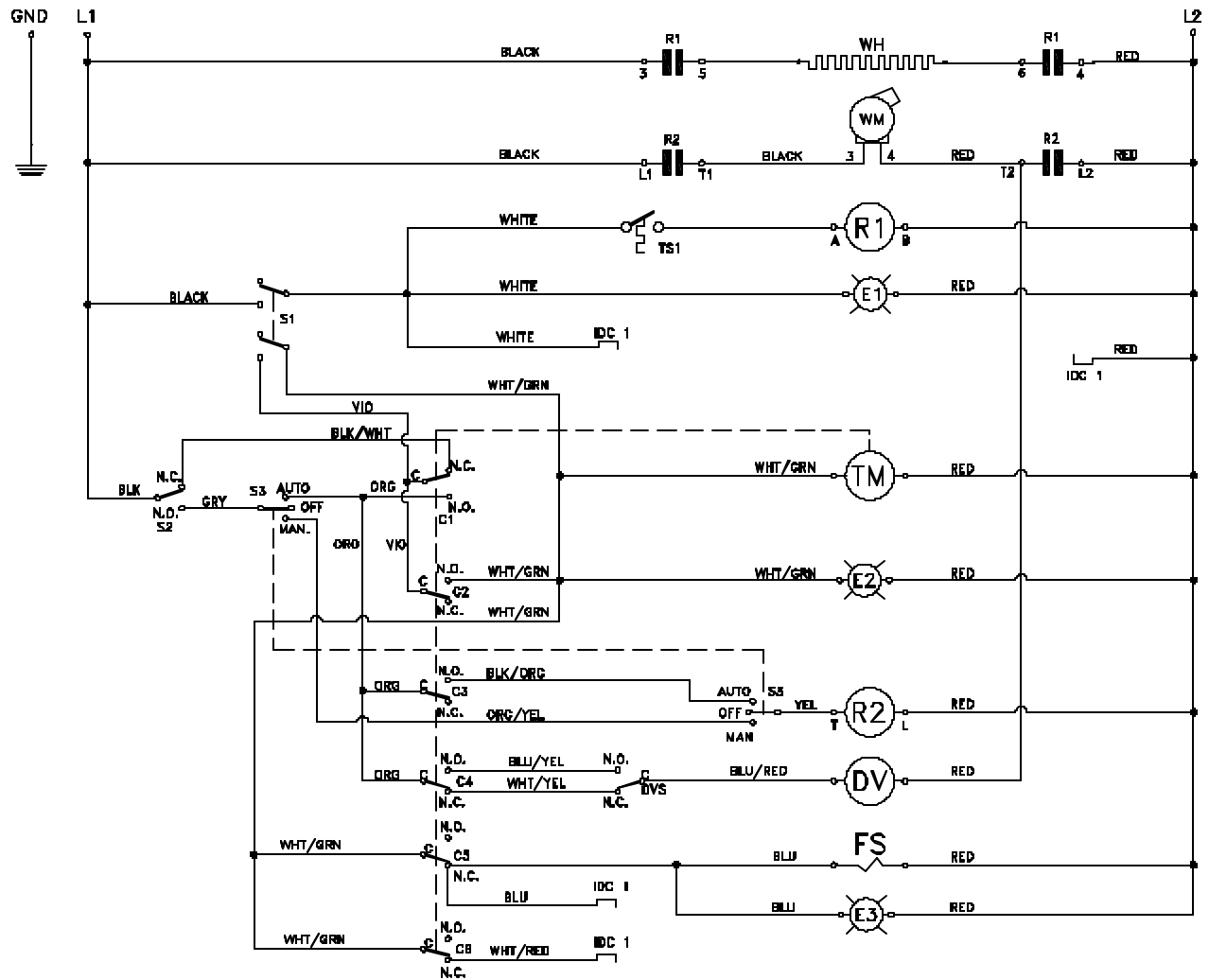
LEGEND

- A - Drain Connection flexible hose.
6'-0" free length, 1" ID x 1 3/8" OD
- B - Electrical Connection.
- C - Water Inlet 1/2" Female Pipe Thread, 2 1/2" AFF
- D - Detergent Feeder Connection

DIMENSIONS

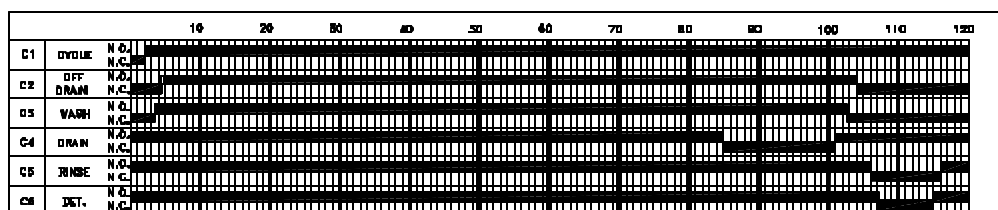
Height (minimum):	33 1/4"	Inside Clearance Height:	14 1/2"
Height (maximum):	34 1/4"	Inside Clearance Width:	20 1/4"
Width:	24 1/4"	Inside Clearance Depth:	21 1/4"
Depth:	22 5/8"	Door Open Depth:	39 1/2"
Wall Clearance (minimum):	2 1/2"		

JP-24 ELECTRICAL DIAGRAM 208-230 VOLT - 60 HERTZ - 1 PHASE



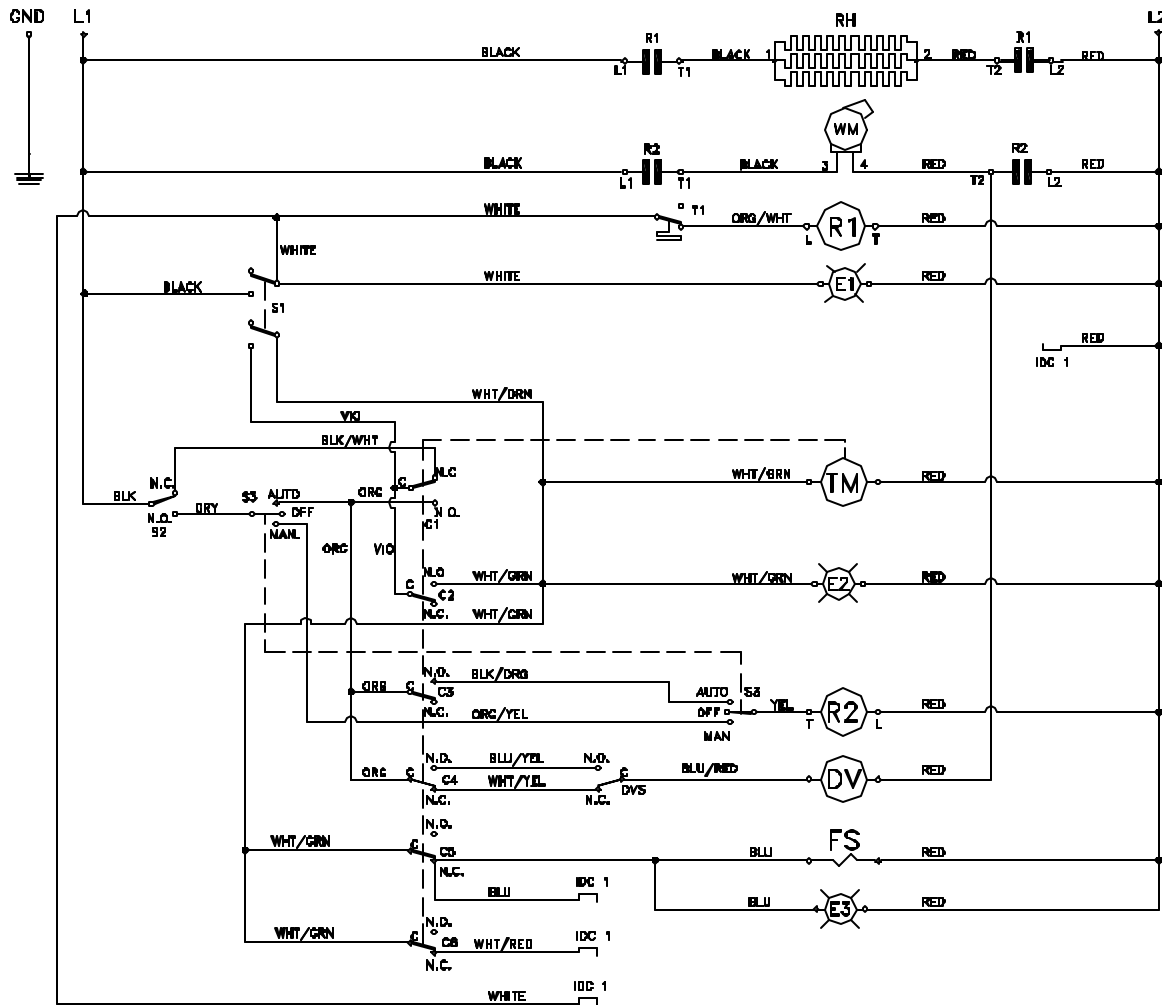
- | | | | | | | | |
|--|------------------------|--|-----------------------|--|-------------------------|--|---------------------------------|
| | REGULATING WASH HEATER | | POWER ON LIGHT | | CYCLE/RESET MICROSWITCH | | ON/FILL-OFF/DRAIN SWITCH |
| | WASH PUMP MOTOR | | CYCLE LIGHT | | OFF/DRAIN MICROSWITCH | | DOOR SWITCH |
| | TIMER MOTOR | | RINSE/FILL LIGHT | | WASH MICROSWITCH | | AUTO/OFF/NAN WASH-DELINE SWITCH |
| | DRAIN VALVE | | WASH RELAY CONTACTS | | DRAIN MICROSWITCH | | |
| | WASH RELAY COIL | | FILL SOLENOID | | FILL MICROSWITCH | | |
| | HEATER RELAY COIL | | HEATER RELAY CONTACTS | | DETERGENT MICROSWITCH | | |
| | | | | | HEATER PAD THERNOSTAT | | |
| | | | | | | | |

TIMING CHART



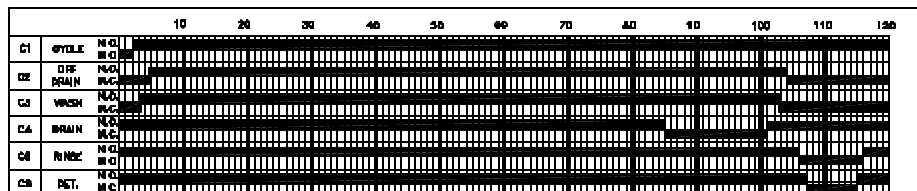
09905-131-42-77E

JP-24B ELECTRICAL DIAGRAM 208-230 VOLT - 60 HERTZ - 1 PHASE



- | | | | | | | | |
|--|-------------------------|--|-----------------------|--|-------------------------|--|---------------------------------|
| | RINSE TANK HEATER | | POWER ON LIGHT | | CYCLE/RESET MICROSWITCH | | ON/FILL-OFF/DRAIN SWITCH |
| | WASH PUMP MOTOR | | CYCLE LIGHT | | OFF/DRAIN MICROSWITCH | | DOOR SWITCH |
| | TIMER MOTOR | | RINSE/FILL LIGHT | | WASH MICROSWITCH | | AUTO/OFF/MAN, WASH-DRAIN SWITCH |
| | DRAIN VALVE | | RINSE HEATER CONTACTS | | DRAIN MICROSWITCH | | FILL SOLENOID |
| | WASH RELAY COIL | | WASH RELAY CONTACTS | | FILL MICROSWITCH | | RINSE HEATER THERMOSTAT |
| | RINSE HEATER RELAY COIL | | | | DRAIN VALVE SWITCH | | |

TIMING CHART



09905-131-42-75D