

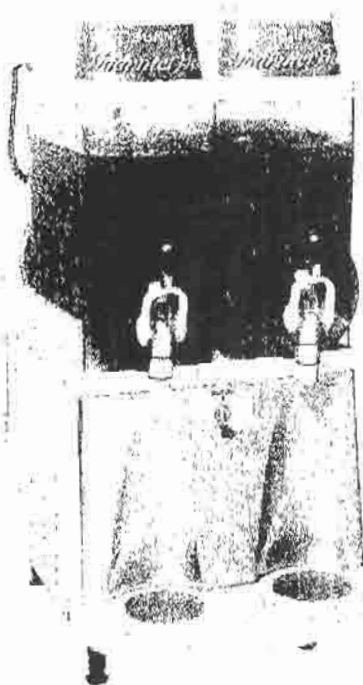
# BUNN®

## 2 Hopper Gourmet Ice® System

### Features

#### Gourmet Ice® System

- Two large 3½ gallon hoppers for optimum cooling & serving capacity.
- Engineered for long life with heavy duty motors, compressor, and seals.
- Advanced electronic controls are designed for easy operation and provide perfect ice consistency.
- Full one year parts and labor warranty. See the product manual for additional details.
- All models include timer for automatic night setting.
- 2-year warranty on compressor.
- Sanitation listed by ETL to NSF Standard 18 (includes dairy & alcohol) and safety listed by ETL to UL Standard (UL 471) and CSA Standard (C22.2 No. 120).
- International electrical configurations available.



Model CDS-2\*

\* International models may vary in appearance.

### Related Products

For available variations to some BUNN products, please contact your BUNN sales representative.

BUNN recommends the use of our Easy Clear® Water Quality Systems to assure perfect taste.

#### Easy Clear® EQ-11-TL

Product No. : 30344.1001

Dimensions:

15½" H x 3½" W x 4½" D

40.32 cm H x 9.21 cm W x 11.51 cm D



#### Easy Clear® ED-11-TL

Product No. : 30244.1001

Dimensions:

14½" H x 5½" W x 5½" D

37.0 cm H x 12.86 cm W x 12.86 cm D

#### Autofill System

- Easy to install.
- Completely self-contained and electronically controlled.
- Includes two independent pumps and refill probes.
- Mix range on post-mix model - 1:1 up to 8:1.
- Separate concentrate and water lines to improve sanitation.

#### AFPO-2 SL Autofill System (Post-Mix)

Product No. : 28400.0004 (Specifications on back)



ITEM#

PROJECT

DATE

### International Model

CDSA-2

### Model

CDS-2

## BUNN®

Corporate Offices  
1400 Stevenson Drive  
Springfield, Illinois 62703

Phone

800-637-6606

217-529-6601

Fax

217-529-6644

Technical Services

800-266-6070

Internet

<http://www.bunnomatic.com>

#### Western Regional Office

16431 Carmelita Road,  
Cerritos, California 90701

Phone

562-920-0764

Fax

562-926-0850

#### Canadian Office

280 Industrial Parkway South  
Aurora, Ontario, L4G 3T9

Phone

905-841-2866

Fax

905-841-2775

Patents

Apply



Specialty Drinks, Gourmet Ice CDS 2

1 2000

D1

## Dimensions & Specifications

Model	Product #	Volts	Amps	Capacity	Cu Ft.	Shipping Weight	Cord Attached
CDS-2 (White/Stainless)	27000.0004	120	9.5	2 hoppers @ 3½ gal. each	21.6	144 lbs. (65.5 kg)	Yes
CDS-2 (White/Stainless) <sup>1</sup>	27000.0015	120	9.5	2 hoppers @ 3½ gal. each	21.6	144 lbs. (65.5 kg)	Yes
CDS-2 (All Black)	27000.0021	120	9.5	2 hoppers @ 3½ gal. each	21.6	144 lbs. (65.5 kg)	Yes
CDS-2 (Black/Stainless)	27000.0027	120	9.5	2 hoppers @ 3½ gal. each	21.6	144 lbs. (65.5 kg)	Yes
CDS-2 (Black tray) <sup>1</sup>	27000.0029	120	9.5	2 hoppers @ 3½ gal. each	21.6	144 lbs. (65.5 kg)	Yes
CDS-2 (Flat lid) <sup>1</sup>	27000.0032	120	9.5	2 hoppers @ 3½ gal. each	21.6	144 lbs. (65.5 kg)	Yes
AFP(O)-2 SL (post mix)	28100.0004	120	4	108 oz./minute	2.7	35 lbs. (15.9 kg)	Yes
Autofill Hopper Only	28079.1001	n/a	n/a	3½ gallons	2.6	8 lbs. (3.6 kg)	n/a

<sup>1</sup>Model is white and stainless <sup>2</sup>Model comes with Autofill-ready hoppers.

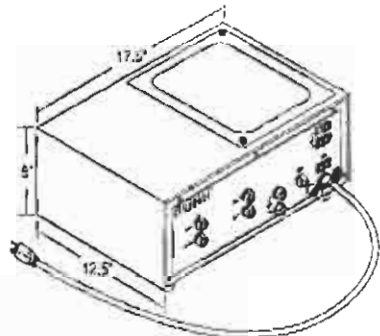
### CDS-2 (All Models)

Electrical: Models require 2-wires plus ground service rated 120V, single phase, 60 Hz.

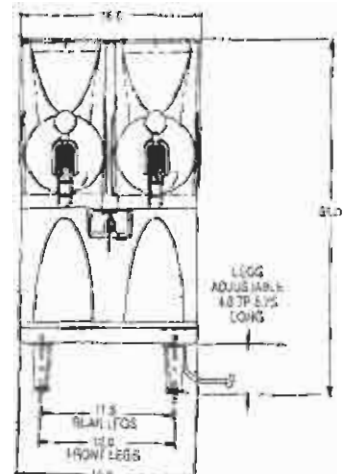
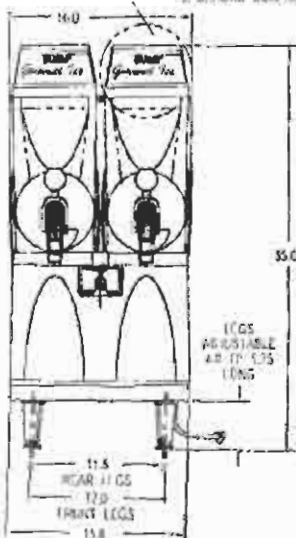
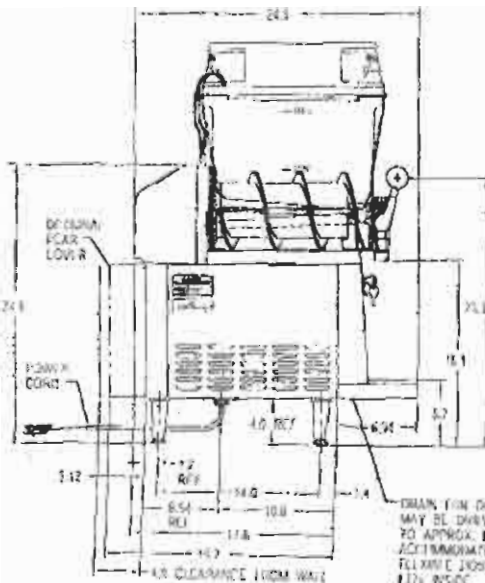
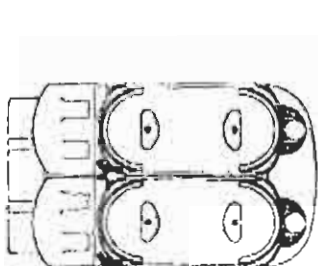
### AFP(O)-2 SL

Electrical: Models require 2-wires plus ground service rated 120V, single phase, 60 Hz.

Plumbing: 20-90 psi (138-621 kPa). Machine supplied with ¼" male flare fitting.



AFP(O)-2 SL



Model CDS-2 (Flat lid)