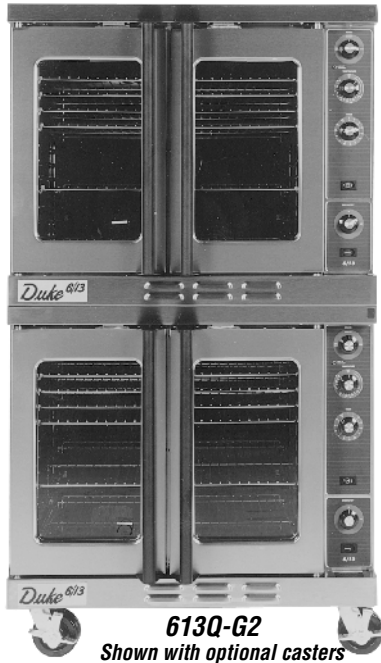




"Your Solutions Partner"

Specifications

F.O.B. St. Louis, Missouri 63102



613Q-G2
Shown with optional casters

OPTIONS:

- Solid stainless steel door
- Stainless steel interior
- Stainless steel back enclosure panel
- Seismic feet
- 48" flexible disconnect, w/restraining device
- Down draft hood
- Common gas manifold
- Double stack - shipped assembled
- Flue deflector
- Casters
- Porcelain drip tray
- Extra oven racks - standard and deep depth
- Prison package - tamper proof screws, lexan hinged cover with lockable clasp
- Extended warranty

AGENCY LISTINGS:



DUKE MANUFACTURING CO.
2305 N. Broadway
St. Louis, MO 63102

800.735.3853 Toll Free
314.231.1130 In Missouri
314.231.5074 Fax
www.dukemfg.com

Approval Stamp(s):

PROJECT INFORMATION:

PROJECT: _____

ITEM: _____

QUANTITY: _____

MODEL:

Duke Convection Ovens - "Q" Series Double Section - Standard Depth - Gas

- 613Q-G2** Double section, standard depth

STANDARD FEATURES:

- 6 racks/13 rack positions
- Porcelain interior
- 50/50 stainless steel doors
- Double pane glass in both doors
- 8" angular stainless steel legs/adjustable feet

OVEN SECTIONS:

- Stainless steel front, sides and top
- 1-1/2" insulation on bottom, sides, back
- 3" insulation on top

OVEN CONTROLS:

- "V" - Basic snap action thermostat (200°-500°F), 60 minute electric dial timer with continuous sounding buzzer, 2-speed fan
- "X" - Solid state digital time and temperature controls, 12-hour countdown timer, **Cook and Hold** feature, 2-speed fan, Pulse fan capability
- "Z" - 5 programmable menu buttons, solid state digital time and temperature controls, 12 hour countdown timer, **Cook and Hold** feature, 2-speed fan
- "ZX" - 5 programmable menu buttons, 5 rack ID timers, solid state digital time and temperature controls, 12-hour countdown timer, 2-speed fan

SHORT FORM SPECIFICATIONS:

Duke Convection Ovens - "Q" Series, Gas, Double Section, Standard Depth. Front, sides, top, door, interior door liners and door gaskets shall be constructed of stainless steel. Porcelain interior finish, with 6 racks and 13 rack positions, and 7/8" covered corners. Unit shall have independently opening doors and 8" angular stainless steel legs with adjustable feet. Two speed blower motor. Unit shall have 50/50 stainless steel doors with double pane glass in both doors. Doors shall be mounted on full length solid steel shafts and bronze bushings. Interior lighting to be (2) 50 watt, 115v bulbs. Bottom, sides and back shall be fully insulated with 1-1/2" thick insulation, top to have 3" thick insulation. 40,000 BTU input, electronic pilot re-light systems, 1/2 HP two-speed blower motor, 115v and an ON-OFF-COOL DOWN switch shall be supplied. Built-in gas pressure regulator supplied. Overall dimensions of unit shall be: 70-1/2" height, including 8" legs, 38" width, depth of 39-1/2" and cavity dimensions of 29"W x 24"H x 24"D.



**DUKE CONVECTION OVENS - "Q" SERIES
DOUBLE SECTION - STANDARD DEPTH - GAS**

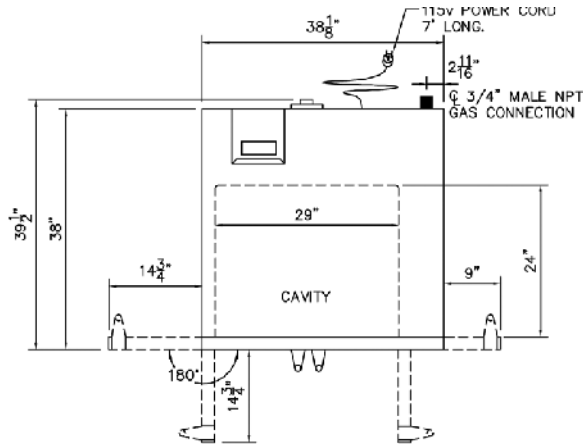
□ **613Q-G2** Double section, standard depth

A.I.A. File No. 35-C-13

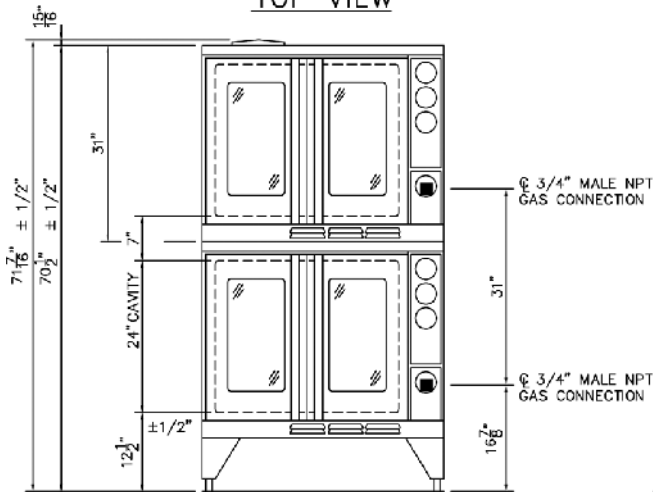
Catalog No. DCO-QGASDS

DUKE CONVECTION OVENS - "Q" SERIES - DOUBLE - STANDARD DEPTH - GAS

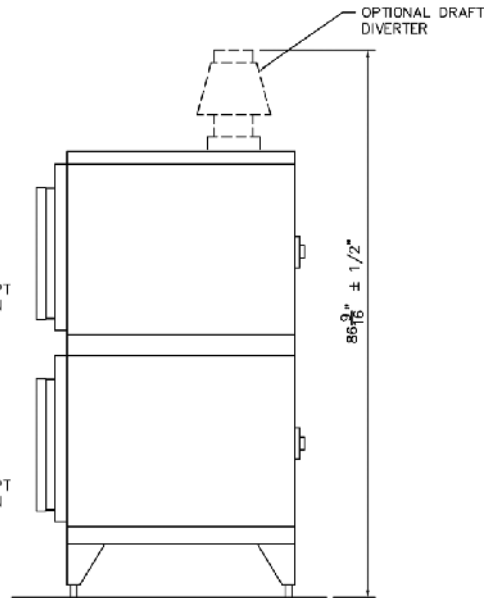
Gas Specifications Per Section	
	BTU/Hour
613Q-G2	46,000
Regulated gas pressure required: 3.5" WC natural/10"WC propane	
Combustible surface clearance - 1" side, 1" rear, 6" floor	
■ - Gas connection	
3/4" Gas connection	
Electrical requirements: 3.5 Amps/115V - 2.0 Amps/208-240V	
Standard 115V units supplied with 5' cord and plug	



TOP VIEW



FRONT VIEW



RIGHT SIDE VIEW

DIMENSIONS:

Freight Class: 85

Model	Depth front view		Width		Height top view		Cube ft. crated	Weight	
	in.	cm	in.	cm	in.	cm		lbs.	kg
613Q-G2	39-1/2	100.3	38	96.5	70-1/2	179.1	69.7	1080	490.0

Specify gas type
Specify altitude over 2000 feet



"Your Solutions Partner"

DUKE MANUFACTURING CO.
2305 N. Broadway
St. Louis, MO 63102

800.735.3853 Toll Free
314.231.1130 In Missouri
314.231.5074 Fax
www.dukemfg.com

Specifications subject to change